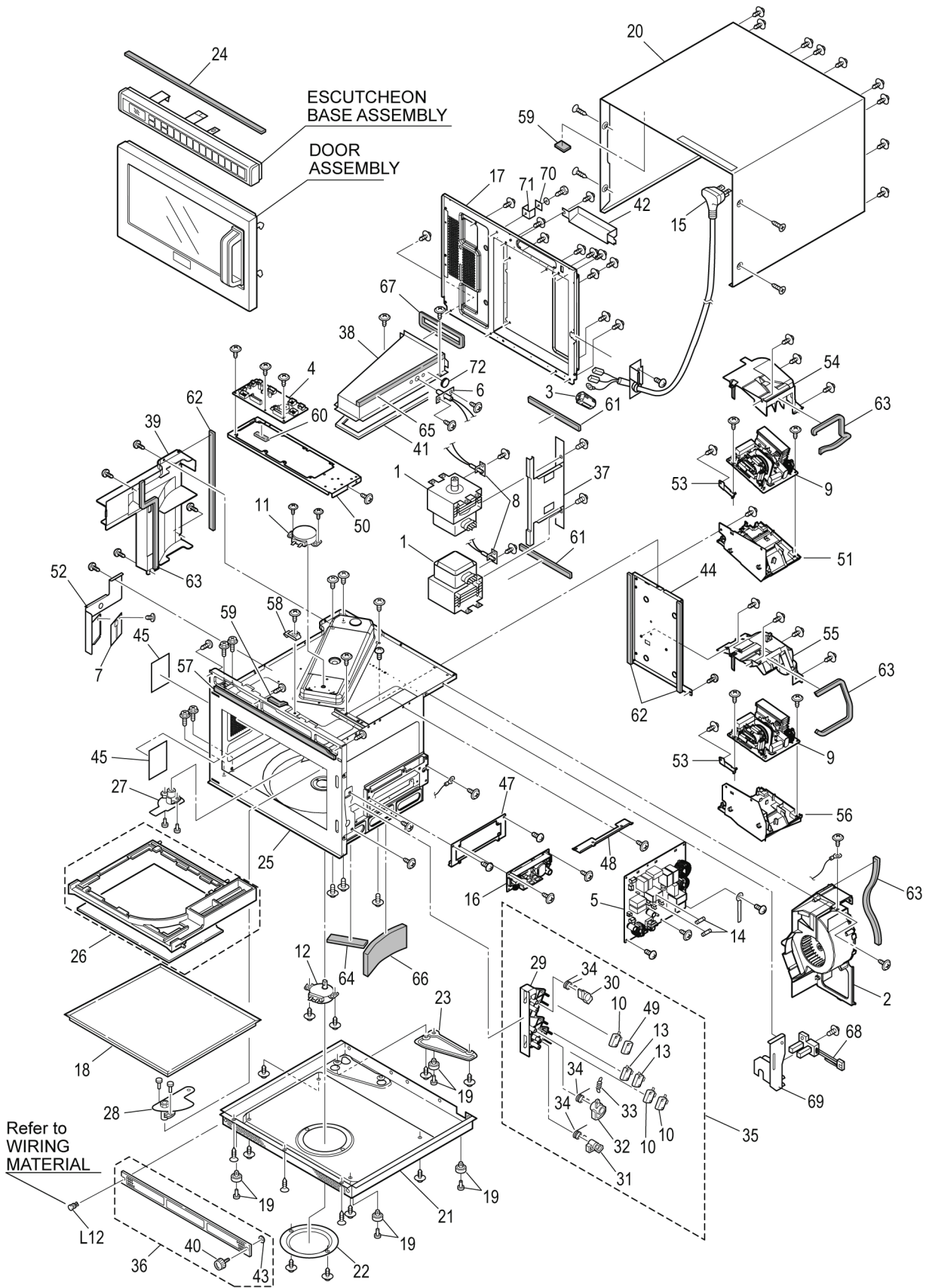


# 13 Exploded View and Replacement Parts List

## 13.1. Exploded view and parts list



# PARTS LIST

NOTE 1: When ordering replacement part(s), please use part number(s) shown in this parts list.  
Do not use description of the part.

2: Important safety notice:

Components identified by  $\Delta$  mark have special characteristics important for safety.

When replacing any of these components, use only manufacturer's specified parts.

3: Alphabet marks in Remarks columns (i.e. BPQ etc) indicate parts applicable to only specified country models as follows.

<b>BBQ, BPQ : United Kingdom</b>
<b>EPG : Continental Europe Countries</b>

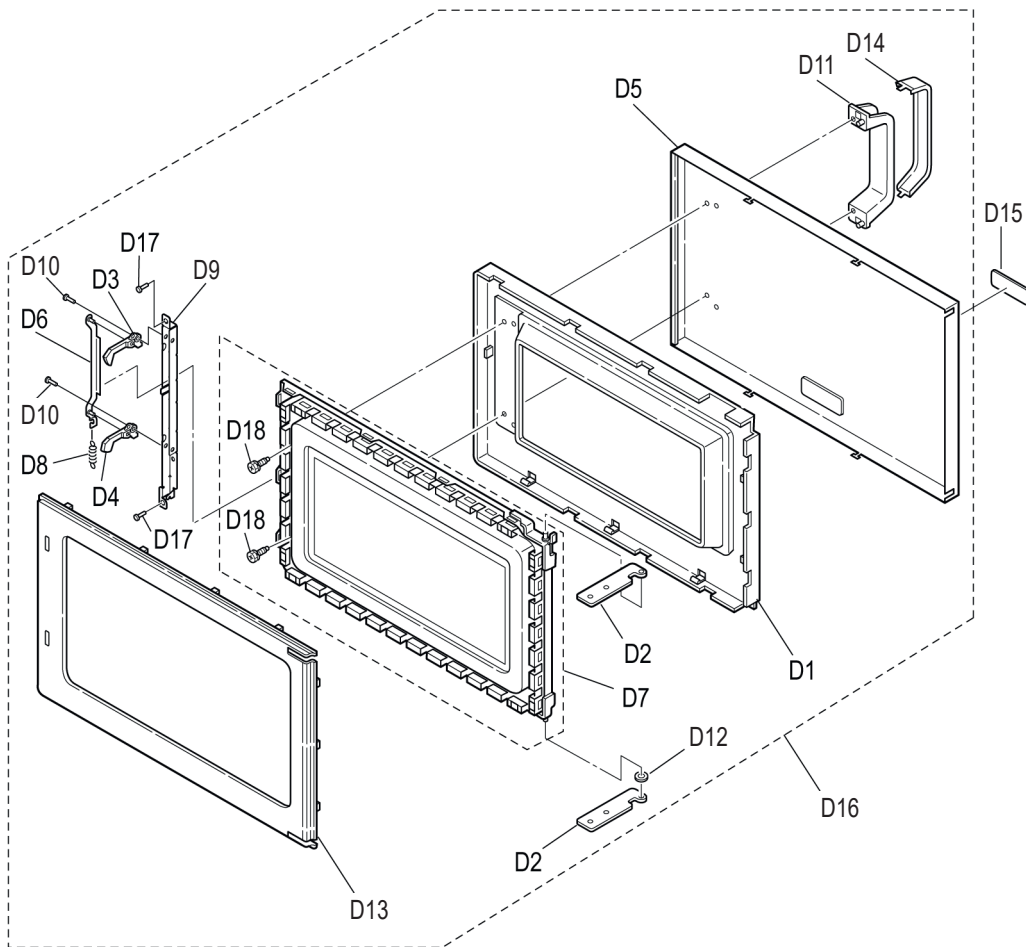
Parts without these marks can be used for all models.

Safety	Ref. No.	Part No.	Part Name & Description	Pcs/set	Remarks
	1	2M261-M32U3Y6-VP	MAGNETRON	2	
	2	H490W3J90BP	FAN MOTOR, DC, 40.8W	1	(40.8W)
	3	F50968K30BP	FERRITE CORE	1	FOR AC CORO W/PLUG (U)
$\Delta$	4	A603L3J9ABP	D.P.CIRCUIT (U)	1	NE-1878BBQ, NE-1864BPQ
$\Delta$	4	A603L3K60EP	D.P.CIRCUIT (U)	1	NE-1878EPG, NE-1864EPG
$\Delta$	5	A603Y3J9ABP	RELAY PCB	1	
	6	A605A-3E10S	EXHAUST THERMISTOR	1	(124°C)
	7	A605S-3J0A	PCB, OVEN LAMP	1	
	8	A605Y-3J00	THERMISTOR BU	1	FOR MAGNETRON
	9	F606Y3G70BPA	H.V. INVERTER	2	
$\Delta$	10	A61424T00AP	MICRO SWITCH	1	(V-16G-3C25-M)
$\Delta$	11	A6144-3E10	ANTENNA MOTOR, AC, Single phase, 3W	1	UPPER, (3W)
$\Delta$	12	A6144-3E20	ANTENNA MOTOR, AC, Single phase, 3W	1	LOWER, (3W)
	13	ANE61784L0AG	MICRO SWITCH	2	(V-16G-2C25)
$\Delta$	14	A62304210BP	FUSE, 10A	2	(10A/250V)
$\Delta$	15	A900C3J90BPS	AC CORO W/PLUG (U)	1	NE-1878BBQ, NE-1864BPQ INCLUDES CORD BUSHING, CORD BRACKET
$\Delta$	15	A900C3K60EPS	AC CORO W/PLUG (U)	1	NE-1878EPG, NE-1864EPG INCLUDES CORD BUSHING, CORD BRACKET
$\Delta$	16	NOAC1GF00002	PCB, POWER SUPPLY	1	
	17	H100Q3J90BP	BACK PANEL	1	
	18	ANE010T8U0AP	SHELF	1	
	19	A1008-3B10	RUBBER FOOT	4	
	20	H1009-3E10	CABINET BODY	1	
	21	H100A3J90BP	BASE	1	
	22	ANE10288U0AP	ANTENNA MOTOR COVER	1	
	23	A1166-3B10	BASE BRACKET B	1	
	24	H11748U0AP	SPACER	1	
$\Delta$	25	H200A-3J00	OVEN U	1	
	26	H2011-3B10S	CEILING PLATE	1	
	27	H202K3E20P6	ANTENNA U	1	UPPER
	28	H202V-3B10	ANTENNA BU	1	LOWER
	29	H3020-3850	DOOR HOOK A	1	
	30	H3136-3470	HOOK SPACER A	1	
	31	H31373F90BP	HOOK SPACER B	1	
	32	H3138-3470	HOOK SPACER C	1	
	33	H32398U0AP	SPRING	1	
	34	H32628U0AP	SPRING B	3	
$\Delta$	35	A393C-3B10	DOOR HOOK U	1	
	36	H400B-3280S	AIR FILTER KIT	1	
	37	H4026-3B10	AIR GUIDE B	1	
	38	H402N3J90BP	EXHAUST GUIDE AU	1	
	39	H4114-3J00	EXHAUST GUIDE C	1	
	40	A4091-3290	SCREW	1	
	41	H4115-3B10	EXHAUST GUIDE CUSHION A	1	
	42	H4122-3B10	EXHAUST GUIDE F	1	
	43	A6408-3280	WASHER	1	
	44	H6029-3J00	MOUNTING BRACKET	1	
	45	F60408U0AP	OVEN LAMP SHEET	2	
	47	H6068-3J00	MOUNTING BRACKET	1	FOR POWER SUPPLY
	48	H6229-3J00	MOUNTING BRACKET	1	FOR RELAY PCB
	49	H62383230GP	SPACER	1	
	50	H6585-3B10	MOUNTING BRACKET	1	FOR D.P.CIRCUIT (U)
	51	H6585-3J00	MOUNTING BRACKET	1	FOR H.V. INVERTER (UPPER)
	52	A6603-3E10	LAMP BRACKET	1	FOR LAMP

Safety	Ref. No.	Part No.	Part Name & Description	Pcs/set	Remarks
	53	H6662-3J00	BRACKET, EARTH	2	FOR H.V.INVERTER
	54	H6720-3J00	COVER	1	FOR H.V.INVERTER (UPPER)
	55	H6721-3J00	COVER B	1	FOR H.V.INVERTER (LOWER)
	56	H6763-3J00	MOUNTING BRACKET	1	FOR H.V.INVERTER (LOWER)
	57	H8251-3180	SPACER	1	
	58	A6408-3280	WASHER	1	FOR EARTH
	59	H0922000CC	CUSHION RUBBER C	2	
	60	H0922000AD	CUSHION RUBBER C	1	
	61	H0922000AL	CUSHION RUBBER C	2	
	62	H0922000AP	CUSHION RUBBER C	3	
	63	H0922000AV	CUSHION RUBBER C	4	
	64	H0922000CU	CUSHION RUBBER C	1	
	65	H0962000AT	CUSHION RUBBER C	1	
	66	H092B000BS	CUSHION RUBBER C	1	
	67	H0962000AT	CUSHION RUBBER D	1	
	68	A611K3J90BP	DETECTION SWITCH	1	
	69	H22133J90BP	DETECTION SWITCH BRACKET	1	
	70	H66623170GP	BRACKET, EARTH	1	
	71	XWNANE65GV	BRACKET	1	
	72	A61454050AP	THERMAL CUTOUT, 105°C 15A	1	
		A1134-3E10	JOINT PLATE	1	OPTIONAL ACCESSORY FOR STACKING
		H05243J90BB	NAME LABEL	1	NE-1878BBQ
		H05243J90EP	NAME LABEL	1	NE-1878EPG
		H05243K60BP	NAME LABEL	1	NE-1864BPQ
		H05243K60EP	NAME LABEL	1	NE-1864EPG
		H01703J90BP	DOOR LABEL	1	NE-1878BBQ, NE-1864BPQ
		H01703F90EU	DOOR LABEL	1	NE-1878EPG, NE-1864EPG
		H00064080BP	CAUTION LABEL	1	NE-1878BBQ, NE-1864BPQ
		F00068K30EU	CAUTION LABEL	1	NE-1878EPG, NE-1864EPG
		H01723F90EU	CAUTION LABEL S	1	
		XTW3+6EFJ	SCREW	4	(3x6) FOR ANTENNA MOTOR
		XTWANE3+8EX	SCREW	4	(3x8) FOR EXHAUST THERMISTORx2, THERMAL CUTOUTx2
		XTW3+10EFJ	SCREW	1	(3x10) FOR DETECTION SWITCH
		XTT4+8RDNV1	SCREW	2	(4x8) FOR EXHAUST GUIDE (F), WASHER(Ref No.58)
		XTWANE4+8BN	SCREW	7	(4x8) FOR EXHAUST GUIDE (AU)x3, FAN MOTOR, PCB (OVEN LAMP), DETECTION SWITCH BRACKET, MOUNTING BRACKET(Ref NO.48)
		XTW4+8PFJ	SCREW	2	(4x8) FOR H.V.INVERTER
		XTW4+8LHJ	SCREW	9	(4x8) FOR AIR GUIDE Bx2, THERMISTOR BUx2, H.V.INVERTER(EARTH)x2, BRACKET(EARTH)x2, LEAD WIRE HARNESS(EARTH)
		XTC4+10BC	SCREW	7	(4x10) FOR CABINET BODYx4, BASEx3
		XYC4+FJ10FJ	SCREW	1	(4x10) FOR RELAY PCB
		XTQ4+10JFJ	SCREW	8	(4x10) FOR MOUNTING BRACKET (Ref No.44)x2, COVERx3, COVER Bx3 FOR H.V.INVERTER
		XTN4+12GGJ	SCREW	3	(4x12) FOR ESCUTCHEON BASE U
		XTTANE4+12BN	SCREW	37	(4x12) FOR BASEx4, BACK PANELx11, EXHAUST GUIDE (C)x4, MOUNTING BRACKET (Ref No.50), LAMP BRACKET, MOUNTING BRACKET(Ref No.44)x2, RELAY PCBx2, MOUNTING BRACKET(Ref No.47)x2, etc.
		XTW4+12TJV1	SCREW	2	(4x12) FOR DOOR HOOK U
		XSQ5+10FJ	SCREW	4	(5x10) FOR HINGE
		XYF5+AF10J	SCREW	6	(5x10) FOR MAGNETRON
		XYE6+F20FJ	SCREW	1	(6x20) FOR BACK PANEL
		XTWANE4+12DN	SCREW	9	(4x12) FOR CABINET BODY
		XYC3+FF8FJ	SCREW	5	(3x8) FOR D.P.CIRCUIT (U)x3, PCB,POWER SUPPLYx2
		XYD4+EE12FJ	SCREW	1	(4x12) FOR AC CORO W/PLUG(EARTH)
		XTWA4+8BJ	SCREW	1	(4x8) FOR WASHER(Ref No.58)

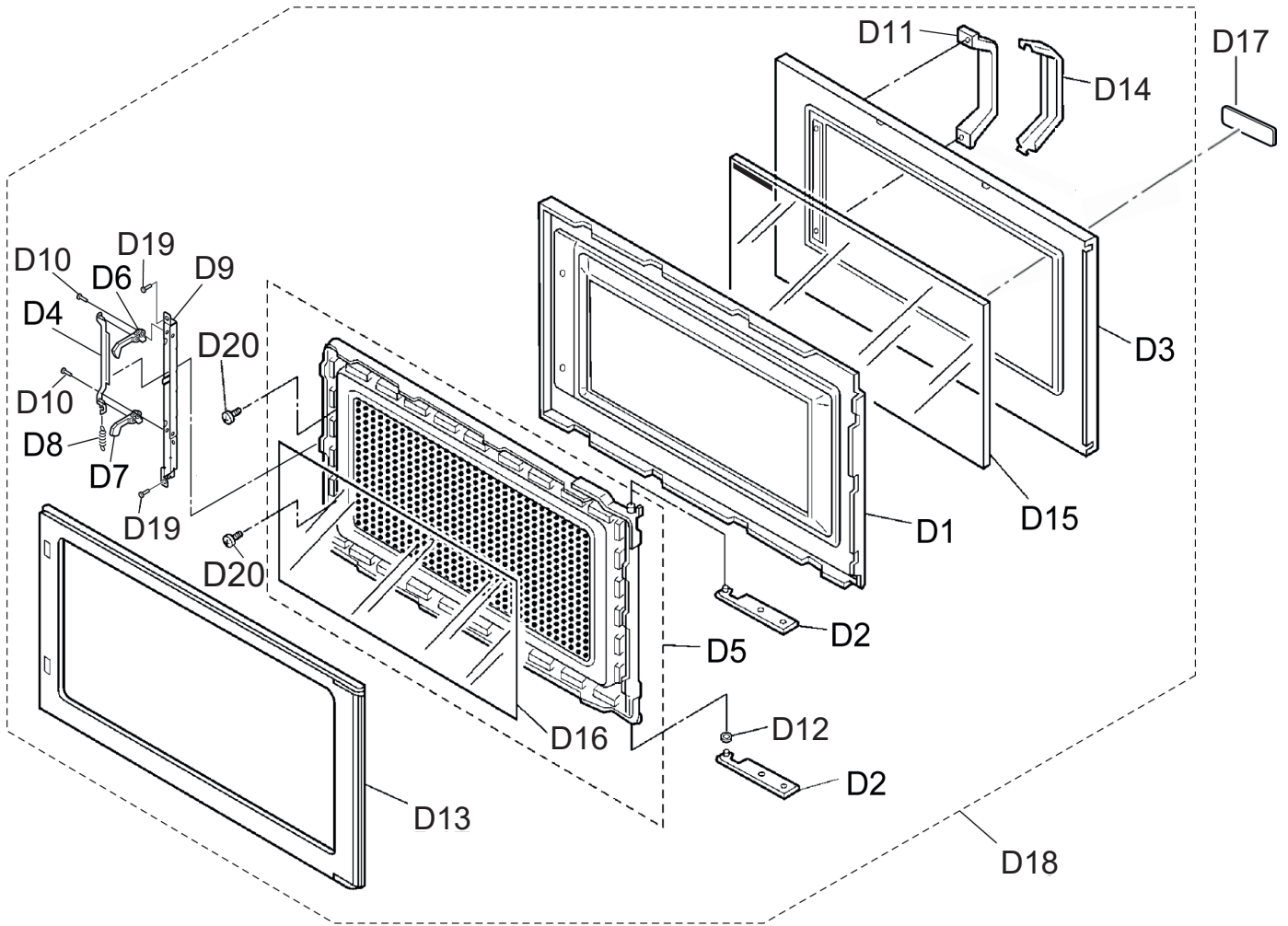
## 13.2. DOOR ASSEMBLY

NE-1878



- \*1 Door U (H390L3J90BP) and Door AU (A301A3J90BP) does not include Door panel and Door label. When ordering the Door U or Door AU, please order Door panel and Door label together.
- \*2 When door is disassembled, Door C hook is broken and cannot be used again. When ordering door components, please make sure that you order the Door C (F3085CL00XP) together.

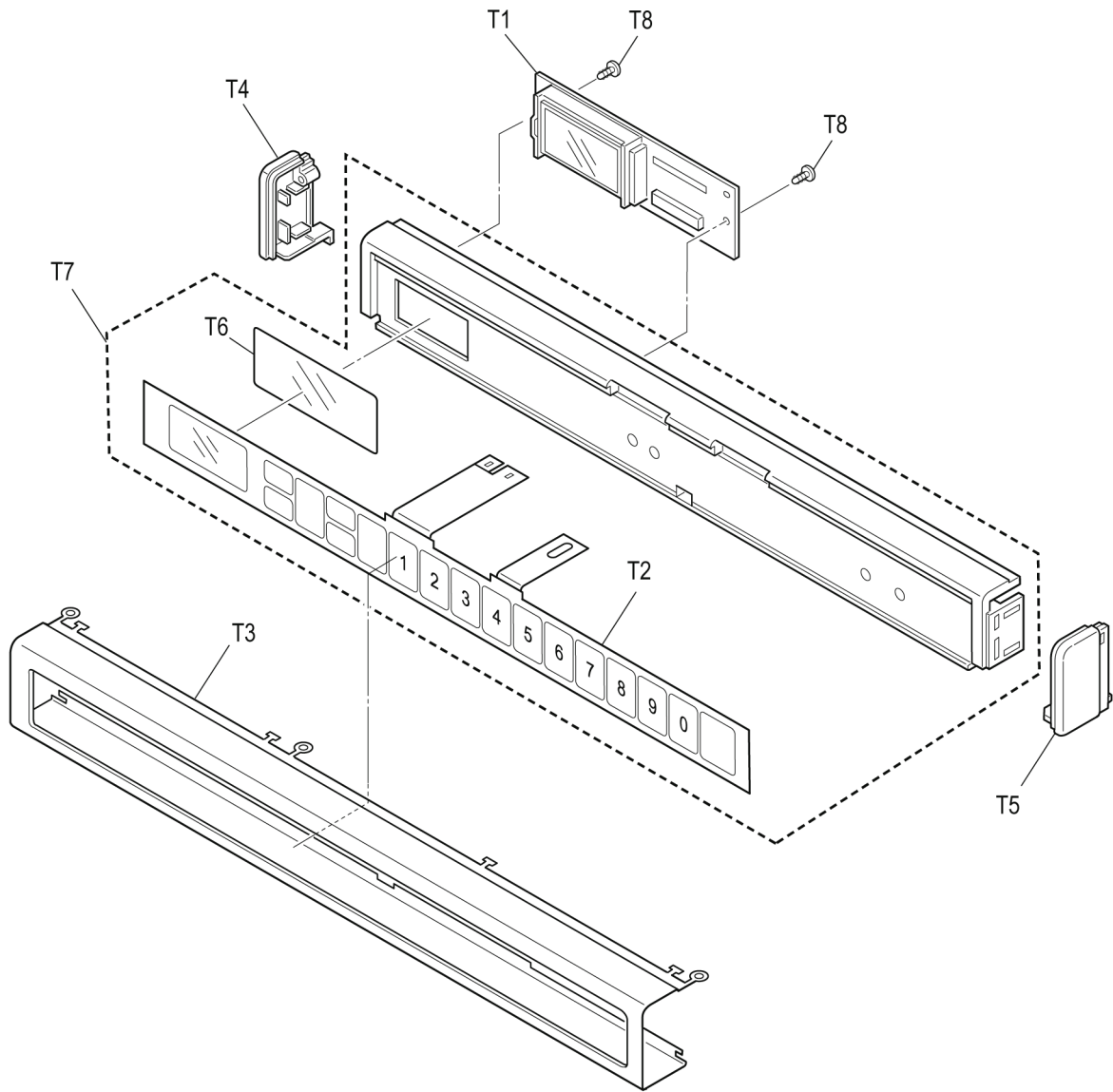
Safety	Ref. No.	Part No.	Part Name & Description	Pcs/set	Remarks
	D1	F3003CL00BPS	DOOR FRAME (U)	1	
	D2	H3007-3J00	HINGE	2	
	D3	F3018CL00XP	DOOR KEY A	1	UPPER
	D4	F3019CL00XP	DOOR KEY B	1	LOWER
	D5	A301A3J90BP	DOOR AU	1	
	D6	H301H-3850	DOOR KEY LEVER BU	1	
⚠	D7	F301Q3J90BP	DOOR EU	1	
	D8	F3021CL00XP	DOOR KEY SPRING	1	
	D9	F3023CL00XP	DOOR KEY MOUNTING PLATE	1	
	D10	ANE30562Q0AP	HANDLE PIN A	2	
	D11	F30703170GP	HANDLE PIECE A	1	
	D12	ANE3081P60AP	DOOR HINGE SPACER	1	
	D13	F3085CL00XP	DOOR C	1	
	D14	ANE31348U1AP	HANDLE PIECE B	1	
	D15	H31863J90BP	DOOR PANEL	1	
⚠	D16	H390L3J90BP	DOOR U	1	
	D17	XTT4+8RDNV1	SCREW	2	(4x8) FOR DOOR KEY MOUNTING PLATE
	D18	XYEA4+C16TSJ	SCREW	2	(4x16) FOR HANDLE PIECE A



- \*1 Door U (H390L-3J00 ) and Door AU (F301ACL00X ) does not include Door panel and Door label. When ordering the Door U or Door AU, please order Door panel and Door label together.
- \*2 When door is disassembled, Door C hook is broken and cannot be used again. When ordering door components, please make sure that you order the Door C (F3085CL00XP) together.

Safety	Ref. No.	Part No.	Part Name & Description	Pcs/set	Remarks
	D1	F3003CL00XPS	DOOR FRAME (U)	1	
⚠	D2	H3007-3J00	HINGE	2	
⚠	D3	F301ACL00XP	DOOR AU	1	
	D4	H301H-3850	DOOR KEY LEVER BU	1	
⚠	D5	F301Q-3500	DOOR EU	1	NOT INCLUDE DOOR SCREEN A
	D6	F3018CL00XP	DOOR KEY A	1	
	D7	F3019CL00XP	DOOR KEY B	1	
	D8	F3021CL00XP	DOOR KEY SPRING	1	
	D9	F3023CL00XP	DOOR KEY MOUNTING PLATE	1	
	D10	ANE30562Q0AP	HANDLE PIN A	2	
	D11	F30703170GP	HANDLE PEICE A	1	
	D12	ANE3081P60AP	DOOR HINGE SPACER	1	
	D13	F3085CL00XP	DOOR C	1	
	D14	ANE31348U1AP	HANDLE PEICE B	1	
⚠	D15	F3145-3B10	DOOR SCREEN A	1	
	D16	A3146-3J00	DOOR SCREEN B	1	
	D17	H31863J90BP	DOOR PANEL	1	
⚠	D18	H390L-3J00	DOOR (U)	1	
	D19	XTT4+8RDNV1	SCREW	2	(4X8) FOR DOOR KEY MOUNTING PLATE
	D20	XYEA4+C16TSJ	SCREW	2	(4X16) FOR HANDLE PEICE A

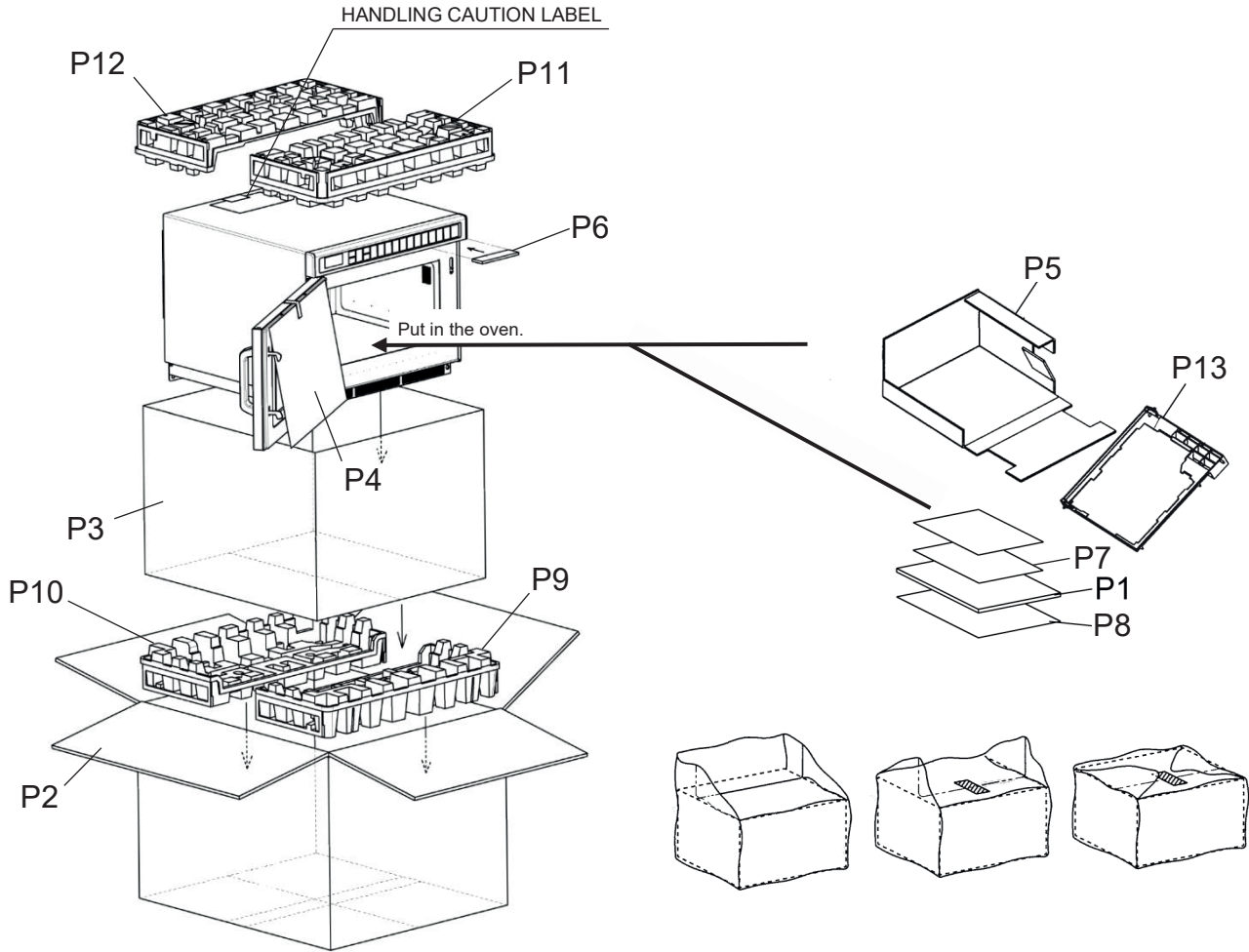
### 13.3. ESCUTCHEON BASE ASSEMBLY



Safety	Ref. No.	Part No.	Part Name & Description	Pcs/set	Remarks
	T1	A603M-3J0A	PC BOARD B (U)	1	
	T2	H630Y3F90EUS	MEMBRANE SWITCH	1	
	T3	H801N8U0APS	ESCUTCHEON A	1	INCLUDES SPACER (Ref No.24) AND SPACER (Ref No.57)
	T4	H80023E20P6	ESCUTCHEON B	1	
	T5	H80063E20P6	ESCUTCHEON D	1	
	T6	A80163F80AP	SPACER	1	
	T7	H800L3F90EUS	ESCUTCHEON BASE U	1	
	T8	XTN4+12GGJ	SCREW	2	(4x12) FOR PC BOARD B (U)

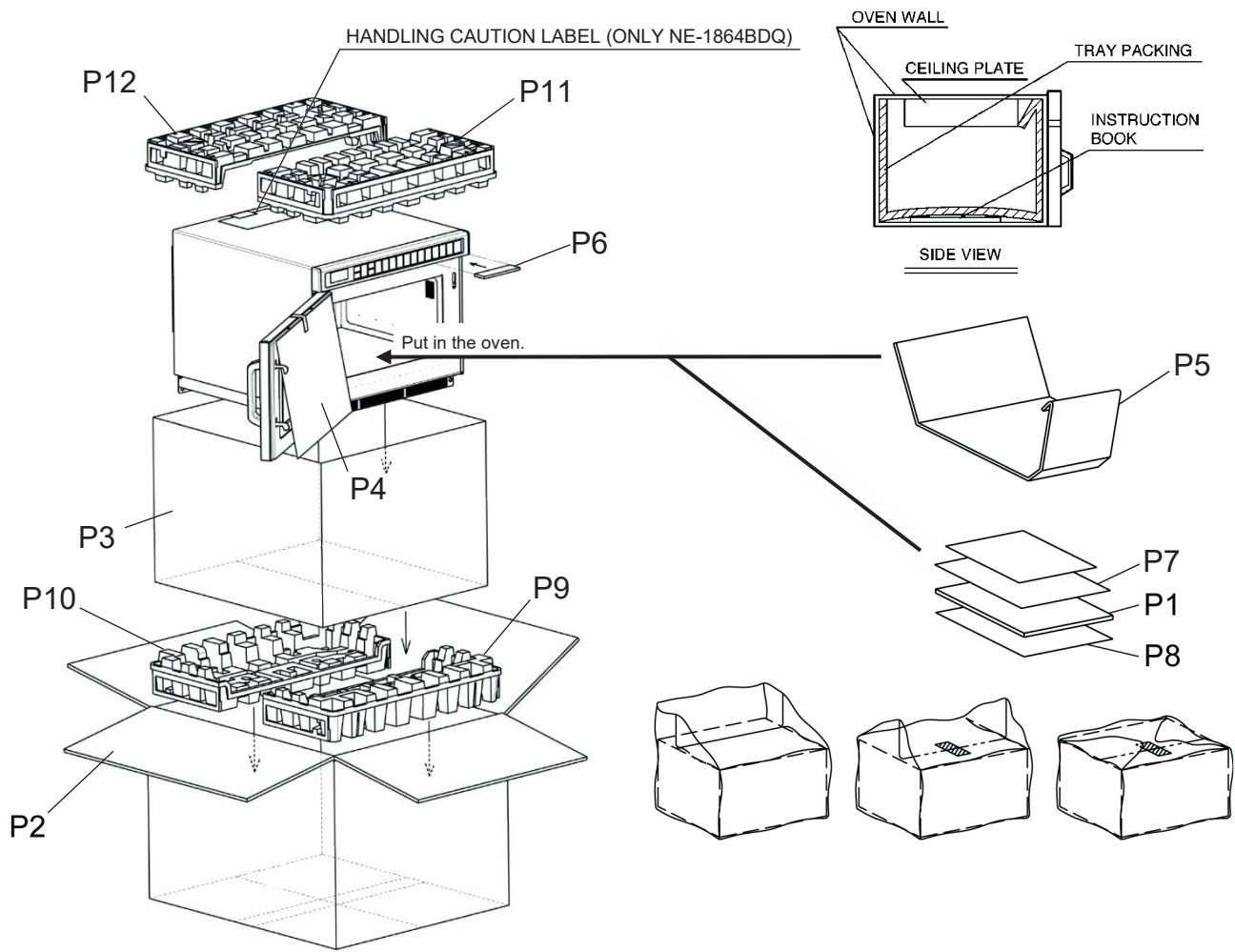
# 13.4. PACKING AND ACCESSORIES

NE-1878BBQ



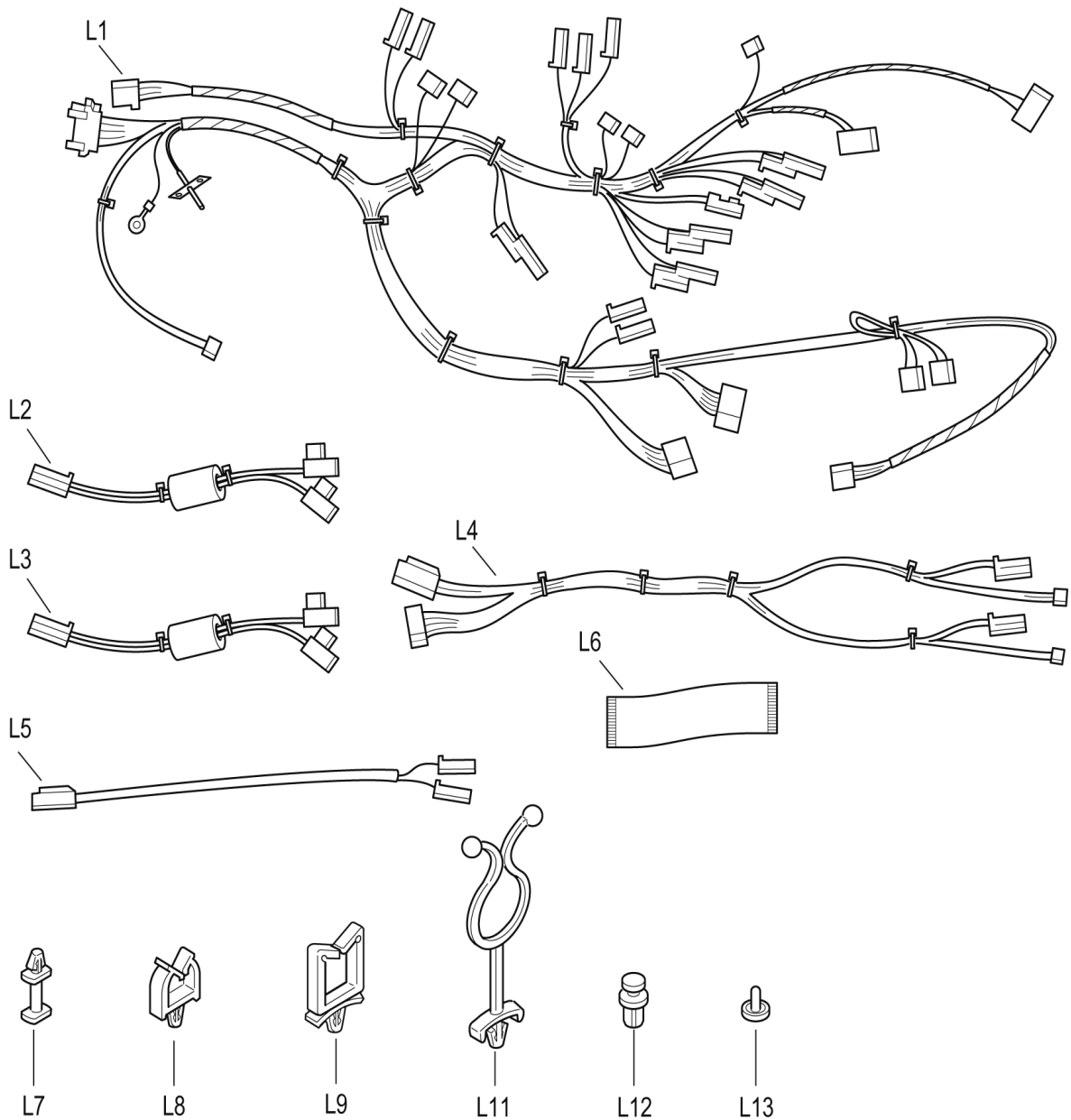
Safety	Ref. No.	Part No.	Part Name & Description	Pcs/set	Remarks
⚠	P1	H00033J90BP	INSTRUCTION BOOK	1	
	P2	H01023J90BBS	PACKING CASE, PAPER	1	
	P3	H01065200AP	VINYL COVER	1	
	P4	H01072Q00AP	DOOR SHEET	1	
	P5	H01083J90BP	TRAY PACKING	1	
	P6	H01453E20P6	DOOR SHEET B	1	
	P7	H01723F90EU	WARNING LABEL	1	
	P8	H04203J90BP	OPERATING GUIDE	1	
	P9	H05633J90BP	LOWER BUFFER MATERIAL A	1	
	P10	H05643J90BP	LOWER BUFFER MATERIAL B	1	
	P11	H05653J90BP	UPPER BUFFER MATERIAL A	1	
	P12	H05663J90BP	UPPER BUFFER MATERIAL B	1	
	P13	H2011-3B10S	CEILING PLATE	1	

NE-1864BDQ, NE-1878EPG, NE-1864EPG



Safety	Ref. No.	Part No.	Part Name & Description	Pcs/set	Remarks
⚠	P1	H00033J90BP	INSTRUCTION BOOK	1	NE-1864BPQ
⚠	P1	H00033K60EP	INSTRUCTION BOOK	1	NE-1878EPG, NE-1864EPG
	P2	H01023J90BPS	PACKING CASE, PAPER	1	
	P3	H01065200AP	VINYL COVER	1	NE-1864BPQ
	P3	H01065200APS	VINYL COVER	1	NE-1878EPG, NE-1864EPG
	P4	H01072Q00AP	DOOR SHEET	1	NE-1864BPQ
	P4	H01072Q00APS	DOOR SHEET	1	NE-1878EPG, NE-1864EPG
	P5	H01083E20P6	TRAY PACKING	1	NE-1864BPQ
	P5	H01083E20P6S	TRAY PACKING	1	NE-1878EPG, NE-1864EPG
	P6	H01453E20P6	DOOR SHEET B	1	
	P6	H01453E20P6S	DOOR SHEET B	1	
	P7	H01723F90EU	WARNING LABEL	1	
	P8	H04203J90BP	OPERATING GUIDE	1	NE-1864BPQ
	P9	H05633J90BP	LOWER BUFFER MATERIAL A	1	
	P10	H05643J90BP	LOWER BUFFER MATERIAL B	1	
	P11	H05653J90BP	UPPER BUFFER MATERIAL A	1	
	P12	H05663J90BP	UPPER BUFFER MATERIAL B	1	

## 13.5. WIRING MATERIAL



Safety	Ref. No.	Part No.	Part Name & Description	Pcs/set	Remarks
△	L1	F030A3J90BP	LEAD WIRE HARNESS	1	
△	L2	H030E-3J00	LEAD WIRE	1	FOR H.V.INVERTER AND MAGNETRON (LOWER)
△	L3	H030E-3J10	LEAD WIRE	1	FOR H.V.INVERTER AND MAGNETRON (UPPER)
△	L4	A030F-3J00	LEAD WIRE HARNESS B	1	FOR H.V.INVERTER
	L5	A0352-3E10	LEAD WIRE	1	FOR ANTENNA MOTOR (LOWER)
	L6	A6590-3E20	FLAT CABLE	1	FOR PC BOARD B (U) AND D.P.CIRCUIT (U)
	L7	A8311-3B10	SPACER B	2	
	L8	ANE9071-3M0	LEAD WIRE HOLDER B	1	
	L9	ANE9071-730	LEAD WIRE HOLDER B	6	
	L11	ANE9072-400	LEAD WIRE HOLDER C	2	
	L12	ANE90828U0AP	CLIP (BLACK)	1	
	L13	ANE91658V0AP	CLIP C	4	