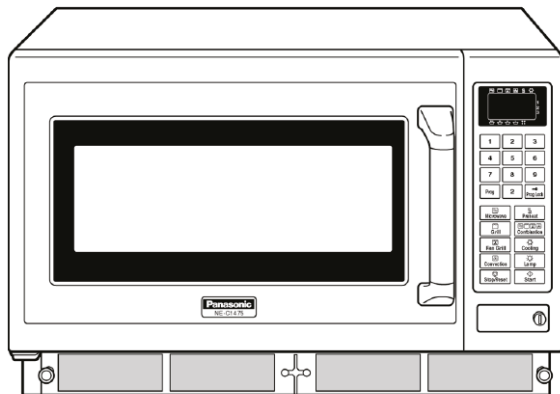


Onderdelen tekening / Exploded view

Microwave Oven



NE-C1475 EYG

(Continental Europe)

Let op ! Please note ! :

de onderdelen in deze tekening zijn voor magnetrons geproduceerd na MEI 2023. Heeft u een ouder model neem dan contact met ons op via onderstaand email adres :

the parts in this drawing are for microwaves produced after MAY 2023. If you have an older model, please contact us at the email address below :

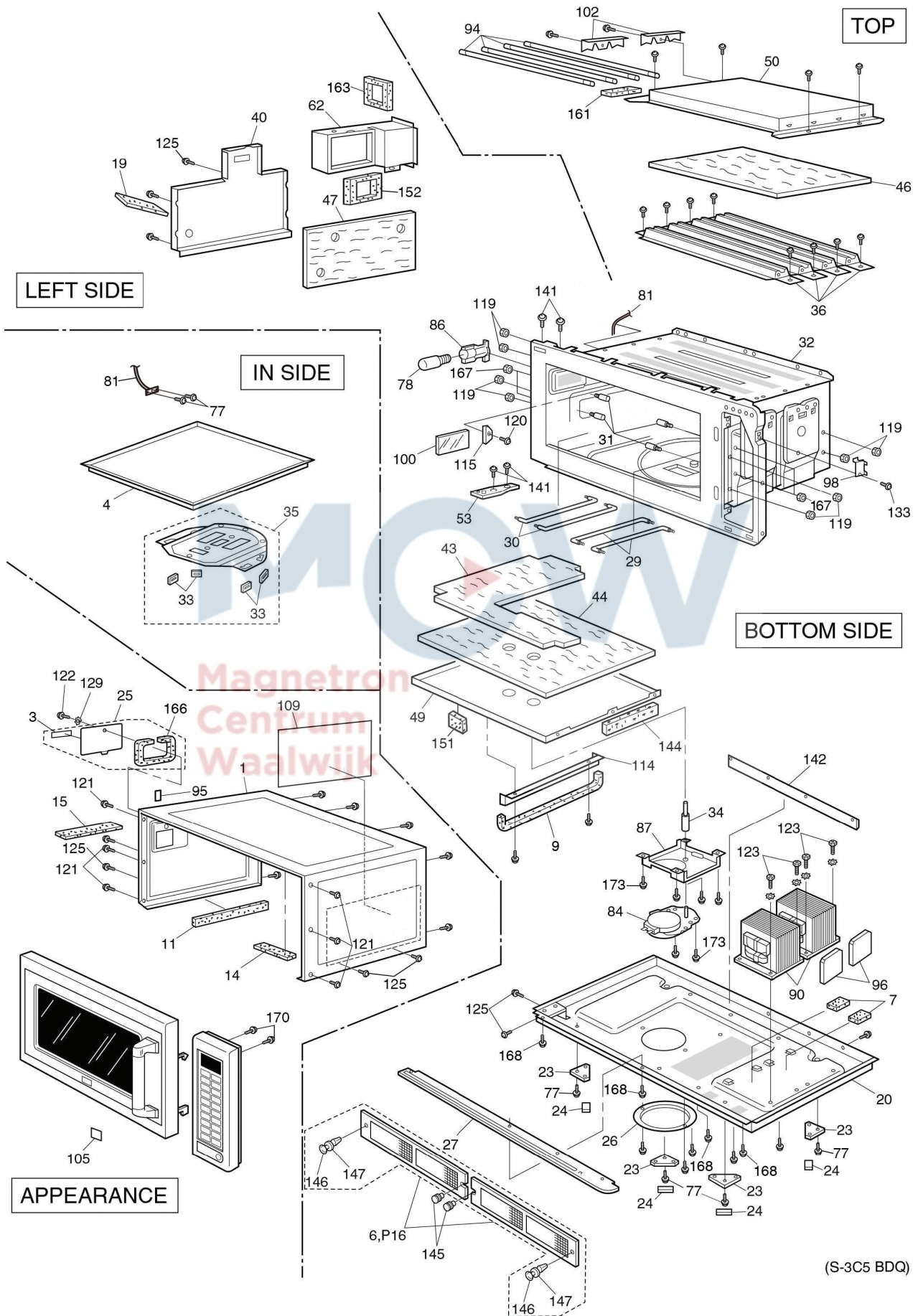
service@magnetron.biz

MCW
Magnetron
Centrum
Waalwijk

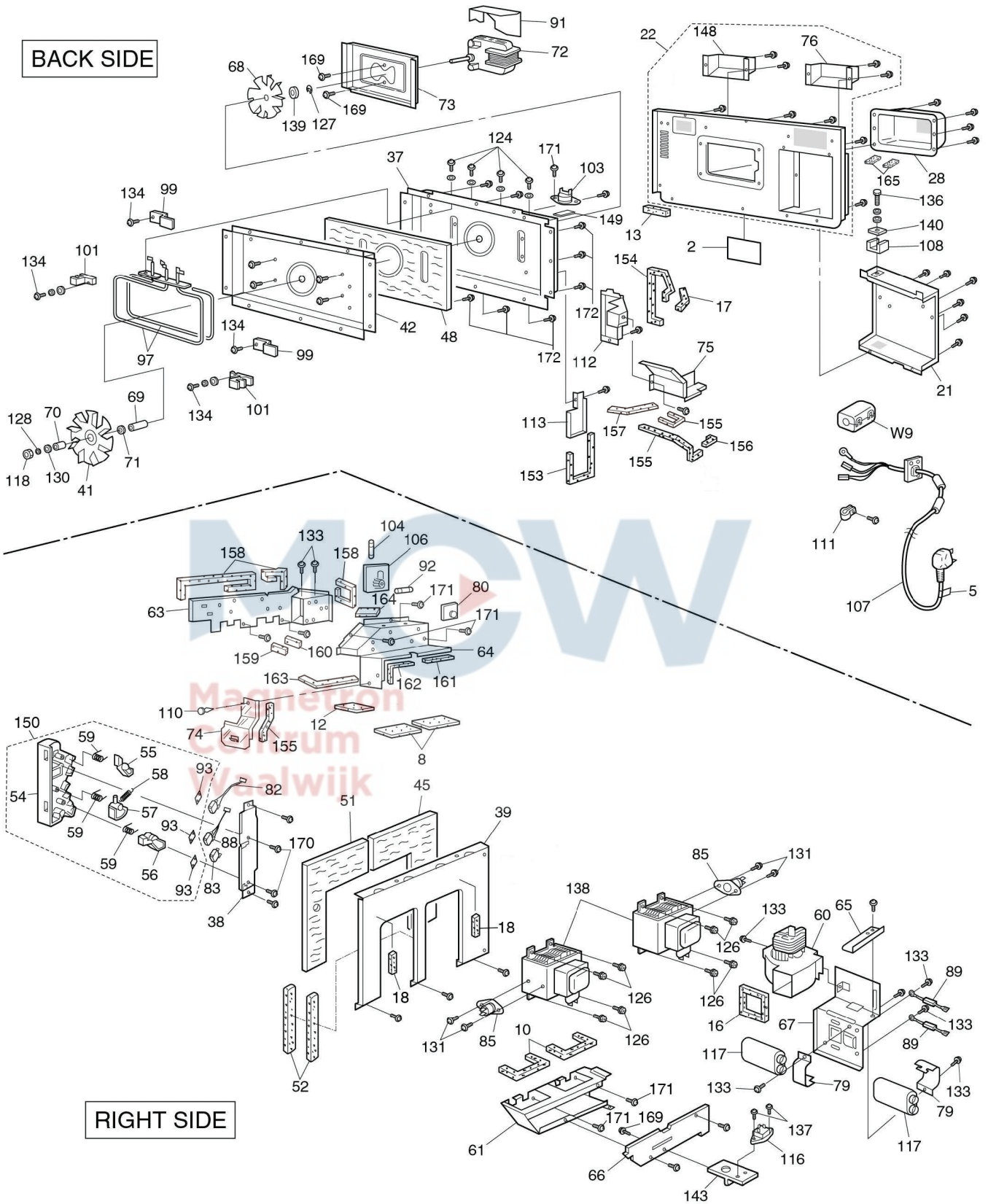
Panasonic[®]

© Panasonic Corporation 2021 Unauthorized copying and distribution is a violation of law.

11 EXPLODED VIEW AND PARTS LIST



BACK SIDE



RIGHT SIDE

(S-3C5 BDQ)

12 PARTS LIST

NOTE:

When ordering replacement(s), please use part number(s) shown in this parts list.

Do not use description the part.

Important safety notice:

Components identified by  mark have special characteristics important for safety.

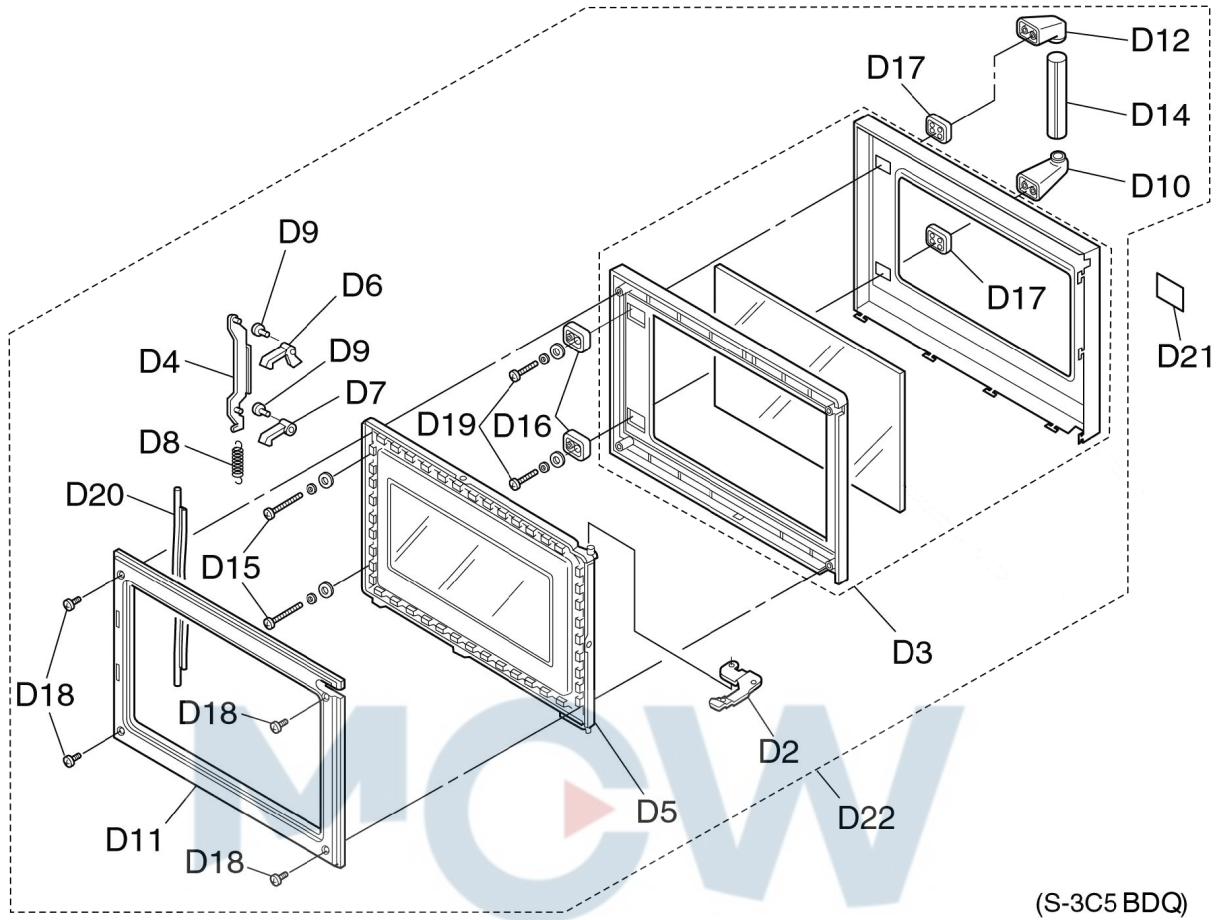
When replacing any of these components, use only manufacturer's specified parts.

Safety	Ref. No.	Part No.	Part Name & Description	Pcs/set	Remarks
	1	F1009-3B40S	CABINET BODY (U)	1	NE-C1275BDQ INCLUDES DOOR SCREEN A
	1	F1009-3B40S1	CABINET BODY (U)	1	NE-C1475EYG INCLUDES DOOR SCREEN A, RECYCLE LABEL
	2	F00063C50BP	CAUTION LABEL	1	NE-C1275BDQ
	2	F00062Q0EP	CAUTION LABEL	1	NE-C1475EYG
	3	F0072L20AP	OVEN LAMP CAUTION LABEL	1	NE-C1275BDQ
	4	A010T5024AQ	SHELF	1	
	5	F02396000BP	CORD CAUTION LABEL	1	NE-C1275BDQ
	6	F400B3840AP	AIR FILTER	2	
	7	F0911A00CC	CUSHION RUBBER	2	FOR BASE
	8	F0911A00DF	CUSHION RUBBER	2	FOR AIR GUIDE E
	9	F0928A00AY	CUSHION RUBBER	1	FOR BRACKET C
	10	F0922A00AM	CUSHION RUBBER	2	FOR AIR GUIDE A
	11	F0922A00COU	CUSHION RUBBER	1	FOR CABINET BODY (U)
	12	F0922A00EF	CUSHION RUBBER	1	FOR AIR GUIDE E
	13	F0922A00EOS	CUSHION RUBBER	1	FOR BACK PANEL
	14	F0922A00FJ	CUSHION RUBBER	1	FOR CABINET BODY (U)
	15	F0922A00JOT	CUSHION RUBBER	1	FOR CABINET BODY (U)
	16	F0923A00AOA	CUSHION RUBBER	1	FOR FAN MOTOR
	17	F0924A00AJ	CUSHION RUBBER	1	FOR BRACKET A
	18	F0926A00CE	CUSHION RUBBER	2	FOR RIGHT HEATER PANEL
	19	F0927A00BI	CUSHION RUBBER	1	FOR LEFT HEATER PANEL
	20	F100A-3B40S	BASE (U)	1	
	21	F100L3230BP	BACK PANEL COVER	1	
	22	F100Q3C60EU	BACK PANEL	1	
	23	F1007-3280	FOOT	4	
	24	F1008-3280	RUBBER FOOT	4	
	25	F10263030GPs	OVEN LAMP COVER (U)	1	NE-C1275BDQ
	25	F10263030GPs1	OVEN LAMP COVER (U)	1	NE-C1475EYG
	26	F1028CL00BXP	ANTENNA MOTOR COVER	1	
	27	F10473230BP	LOWER SASH	1	
	28	F1183-3810	BACK PANEL	1	
	29	F18073C50BP	RAIL, RIGHT	2	
	30	F18083C50BP	RAIL, LEFT	2	
	31	F18593C50BP	SHELF SUPPORT	4	
	32	F200A3C50BPs	OVEN CAVITY U	1	INCLUDES REFLECTION PANEL
	33	F20194210BAQ	ANTENNA STOPPER	4	
	34	F202J3230BP	ANTENNA SHAFT	1	
	35	F202K3230BP	MOVING ANTENNA (U)	1	
	36	F202L3880BP	REFLECTION PANEL	4	
	37	F203M3230BP	CIRCULATION FAN CASE	1	
	38	F20853230BP	DOOR HOOK MOUNTING	1	
	39	F22363230BP	RIGHT HEATER PANEL	1	
	40	F22373230BP	LEFT HEATER PANEL	1	
	41	F22392020AP	FAN BLADE	1	
	42	F22413230BP	BACK ADIABATIC PANEL	1	
	43	F22423230BP	ADIABATIC MATERIAL A	1	
	44	F22433230BP	ADIABATIC MATERIAL B	1	
	45	F22583230BP	ADIABATIC MATERIAL C	1	
	46	F22593230BP	ADIABATIC MATERIAL D	1	
	47	F22603230BP	ADIABATIC MATERIAL E	1	
	48	F22613230BP	ADIABATIC MATERIAL F	1	
	49	F22773230BP	LOWER HEATER PANEL	1	
	50	F22783230BP	UPPER HEATER PANEL	1	
	51	F23793230BP	ADIABATIC MATERIAL G	1	
	52	F23853230BP	ADIABATIC MATERIAL H	2	
	53	F301L3230BP	LOWER HINGE	1	
	54	F30203230GP	DOOR HOOK	1	
	55	F3136CL00BXP	HOOK SPACER A	1	
	56	F3137CL00BXP	HOOK SPACER B	1	
	57	F3138CL00BXP	HOOK SPACER C	1	
	58	F3239CL00BXP	LEVER SPRING A	1	
	59	F3262CL00BXP	LEVER SPRING B	3	

Safety	Ref. No.	Part No.	Part Name & Description	Pcs/set	Remarks
△	60	F400A3230BP	FAN MOTOR	1	(85W)
	61	F400E3230BP	AIR GUIDE A	1	
	62	F400K3230BP	EXHAUST GUIDE	1	
	63	F400T3230BP	AIR GUIDE D	1	
	64	F402A3230BP	AIR GUIDE E	1	
	65	F40213230BP	FAN CASE COVER	1	
	66	F40313230BP	AIR GUIDE C	1	
	67	F41573230BP	FAN BRACKET A	1	
	68	F41592020AP	FAN	1	
	69	F41613230BP	FAN SPACER A	1	
	70	F41622020AP	FAN SPACER B	1	
	71	F41632020AP	FAN SPACER C	1	
	72	J41793230BP	HEATER FAN MOTOR	1	(25.5W)
	73	F41806000BP	FAN MOTOR BRACKET	1	
	74	F42123C60BP	AIR GUIDE I	1	
	75	F42563230BP	AIR GUIDE J	1	
	76	F441Y3230BP	EXHAUST COVER, RIGHT	1	
	77	XTWANE3+10EX	SCREW	6	(3×10) FOR OVEN TEMP SENSORx2, RUBBER FOOT Ax4
	78	F6030Q50GN	OVEN LAMP	1	
	79	F60373230BP	CAPACITOR BRACKET	2	
	80	F605S3030GP	PC BOARD H (U)	1	
	81	F605Y3880BP	TEMP SENSOR	1	FOR OVEN CAVITY
△	82	F610A3230BP	DOOR SWITCH A	1	(V-16G-3E6) SECONDARY INTERLOCK SWITCH
△	83	A61413230BP	LATCH SWITCH A	1	(V-15G-3C26) PRIMARY INTERLOCK SWITCH
△	84	J61443C62EU	ANTENNA MOTOR	1	(3W)
△	85	F61455850GP	THERMAL CUTOFF	2	FOR MAGNETRON
△	86	F61523C50BP	OVEN LAMP SOCKET	1	
	87	F61983230BP	MOTOR BRACKET	1	
△	88	F620X3230BP	CHANGE-OVER SWITCH	1	(V-15G-1E5-M) INTERLOCK MONITOR SWITCH
	89	F6202-3X2	DIODE, SI	2	(0.35A)
△	90	J621B3C50BP	H.V.TRANSFORMER	2	NE-C1275BDQ, (1.0kVA)
△	90	J621B3C62EU	H.V.TRANSFORMER	2	NE-C1475EYG, (1.2kVA)
	91	F62193230BP	INSULATION COVER	1	
△	92	ANE6230P10GN	FUSE	1	(16A)
	93	F6238CL00BXP	SPACER	3	
△	94	F630G3C50BP	HEATER	4	NE-C1275BDQ
△	94	F630G3C60EU	HEATER	4	NE-C1475EYG
	95	F0072Z70GP	OVEN LAMP CAUTION LABEL	1	
	96	F63023230BP	INSULATION COVER B	2	FOR H.V.TRANSFORMER
	97	F631U3C60BP	HEATER	2	
	98	F6408-2050	WASHER	1	
	99	F64173230BP	HEATER SUPPORT A	2	
	100	A6437-1600	GLASS PLATE	1	
	101	F64643230BP	HEATER SUPPORT B	2	
	102	F65533230BP	HEATER BRACKET	2	
△	103	F6145-1E30	THERMAL CUTOFF	1	FOR CIRCULATION FAN CASE
△	104	A65953700BP	FUSE	1	(2.5A)
	105	F05423C50QP	CAUTION LABEL	1	
△	106	F692Y3C60EU	NOISE FILTER	1	
△	107	F900C3230BPS	POWER CORD W/ PLUG	1	NE-C1275BDQ
△	107	F900C3230EUS	POWER CORD W/ PLUG	1	NE-C1475EYG
	108	XWNANE66GVB	SPACER	1	
	109	F6302-3C70	INSULATION COVER B	1	FOR CABINET BODY (U)
	110	ANE9080-730	CLIP	1	(YELLOW)
	111	F9107A20GN	LEAD WIRE HOLDER	1	
	112	F97213230BP	BRACKET A	1	
	113	F97223230BP	BRACKET B	1	
	114	F97233230BP	BRACKET C	1	
	115	F98243230BP	GLASS PLATE BRACKET	1	
	116	B2BZPR000001	TRIAC	1	(600V, 35A)
△	117	J63903232BPS	H.V.CAPACITOR	2	NE-C1275BDQ, (0.85μF)
△	117	J63903233GP	H.V.CAPACITOR	2	NE-C1475EYG, (1.0μF)
	118	XNG4EVSL	NUT	1	(M4 SUS, COUNTER CLOCKWISE) FOR HEATER FAN MOTOR
	119	XNW4EFN	NUT	8	FOR RAIL, RIGHT, RAIL, LEFT
	120	XST4+6VS	SCREW	1	(4×6) FOR GLASS PLATE BRACKET
	121	XTC4+10BC	SCREW	6	(4×10) FOR CABINET BODY (U)
	122	XTC4+10FC	SCREW	1	(4×10) FOR OVEN LAMP COVER (U)
	123	XTEA5+E10FJ	SCREW	4	(5×10) FOR H.V.TRANSFORMER
	124	XTTANE4+B10S	SCREW	4	(4×10) FOR CIRCULATION FAN CASE
	125	XTT4+8RDN	SCREW	7	(4×8) FOR BASEx2, CABINET BODY (U)x4, LEFT HEATER PANELx1
	126	XTWA4+10RUJ	SCREW	8	(4×10) FOR MAGNETRON

Safety	Ref. No.	Part No.	Part Name & Description	Pcs/set	Remarks
	127	XUE32V	RING	1	FOR HEATER FAN MOTOR
	128	XWA4BV	SPRING WASHER	1	FOR HEATER FAN MOTOR
	129	XWC4BPN	SPRING LOCK WASHER	1	FOR OVEN LAMP COVER (U)
	130	XWG4BV	WASHER	1	FOR HEATER FAN MOTOR
	131	XTEA3+6BJ	SCREW	4	(3x6) FOR THERMAL CUTOUT, MAGNETRON
	133	XYCA4+EE8J	SCREW	8	(4x8) FOR CAPACITOR BRACKETx2, DIODE, SI, 0.35Ax2, FAN MOTORx1, NOISE FILTERx1, WASHER(No.98)x1, POWER CORD W/ PLUGx1
	134	XYC4+F16XN	SCREW	4	(4x16) FOR HEATER SUPPORT Ax2, HEATER SUPPORT Bx2
	136	XYE6+F20FJ	SCREW	1	(6x20) FOR BACK PANEL COVER(EARTH)
	137	XYN4+J10FN	SCREW	2	(4x10) FOR TRIAC
△	138	2M167B-M14J1	MAGNETRON	2	
	139	F41636000BP	FAN SPACER C	1	
	140	F66623171BGP	EARTH SPACER	1	
	141	XSWA5+10UJ	SCREW	4	(5x10) FOR LOWER HINGEx2, UPPER HINGEx2
	142	F20343840AP	OVEN BRACKET	1	
	143	F62443230BP	HEAT SINK	1	
	144	F092EA00BI	CUSHION RUBBER	1	
	145	ANE90828U0AP	CLIP	2	
	146	A40923030GP	FILTER HANDLE	2	
	147	ANE42408U0AP	FILTER HANDLE B	2	
	148	F441Y3C60EU	EXHAUST COVER, LEFT	1	
	149	F62383C50BP	SPACER	1	FOR THERMAL CUTOUT B & CIRCULATION FAN CASE
	150	F393C3230GP	DOOR HOOK U	1	NOT INCLUDE DOOR SWITCH A, LATCH SWITCH A, CHANGE-OVER SWITCH
	151	F092AA00AI	CUSHION RUBBER	1	FOR LOWER HEATER PANEL
	152	F0922A00AY	CUSHION RUBBER	1	FOR EXHAUST GUIDE
	153	F0923A00AN	CUSHION RUBBER	1	FOR BRACKET B
	154	F0923A00AU	CUSHION RUBBER	1	FOR BRACKET A
	155	F0923A00AL	CUSHION RUBBER	3	FOR AIR GUIDE Ix1, AIR GUIDE Jx2
	156	F0922A00AL	CUSHION RUBBER	1	FOR AIR GUIDE J
	157	F0923A00AG	CUSHION RUBBER	1	FOR AIR GUIDE J
	158	F0923A00AY	CUSHION RUBBER	3	FOR AIR GUIDE D
	159	F0922A00AE	CUSHION RUBBER	1	FOR AIR GUIDE D
	160	F0923A00AE	CUSHION RUBBER	1	FOR AIR GUIDE D
	161	F0923A00AI	CUSHION RUBBER	2	FOR UPPER HEATER PANEL, AIR GUIDE E
	162	F0923A00AM	CUSHION RUBBER	1	FOR AIR GUIDE E
	163	F0922A00AOT	CUSHION RUBBER	2	FOR AIR GUIDE E, EXHAUST GUIDE
	164	F0920A00BE	CUSHION RUBBER	1	FOR AIR GUIDE E
	165	F0924A00DE	CUSHION RUBBER	2	FOR BACK PANEL
	166	F0922A00AOU	CUSHION RUBBER	1	FOR OVEN LAMP COVER (U)
	167	XNW5EFN	NUT	4	FOR SHELF SUPPORT
	168	XTWA4+12BZJ	SCREW	4	(4x12) FOR BASE
	169	XTWA4+8SJ	SCREW	3	(4x8) FOR HEAT SINKx1, HEATER FAN MOTORx2
	170	XTW4+12TJ	SCREW	4	(4x12) FOR DOOR HOOK MOUNTING Ax2, ESCUCHEON BASE ASSYx2
	171	XTWANE4+8BN	SCREW	6	(4x8) FOR THERMAL CUTOUT Bx1, AIR GUIDE Ax2, AIR GUIDE Ex3
	172	XTWANE4+10BN	SCREW	16	(4x10) FOR CIRCULATION FAN CASEx14, POWER CORD W/ PLUGx2
	173	XTW3+6BJ	SCREW	6	(3x6) FOR ANTENNA MOTOR, MOTOR BRACKET
		XTWANE4+12BN	SCREW	75	(4x12) FOR BASEx3, LOWER HEATER PANELx6, RIGHT HEATER PANELx3, LEFT HEATER PANELx2, UPPER HEATER PANELx4, HEATER BRACKETx2, EXHAUST GUIDEx1, BRACKET Ax1, BRACKET Bx1, AIR GUIDE Cx2, FAN BRACKET Ax2, AIR GUIDE Jx1, AIR GUIDE Dx3, DOOR HOOK MOUNTING Ax2, BACK PANEL, BACK PANEL COVERx16, POWER CORD W/ PLUGx3, CABINET BODY (U)x6, LEAD WIRE HOLDERx1, etc.
		F6544X70GP	PC BOARD SPACER A	3	FOR AIR GUIDE E
		A62316000GP	HOLDER	2	FOR FUSE, 2.5A
		A62316010BP	HOLDER	2	FOR FUSE, 16A

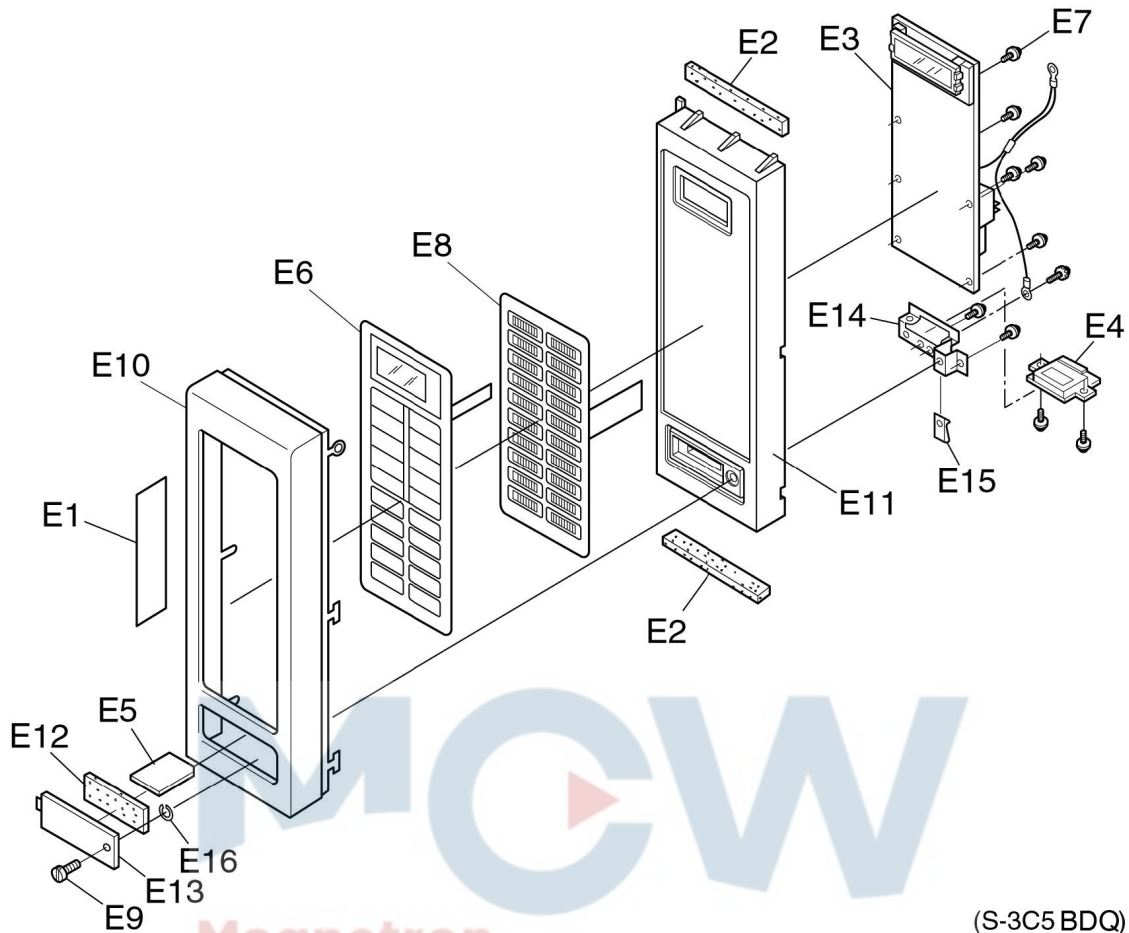
13 DOOR ASSEMBLY



Safety	Ref. No.	Part No.	Part Name & Description	Pcs/set	Remarks
	D2	F300B3230BP	UPPER HINGE	1	
	D3	F301A3C50BPS	DOOR A (U)	1	
	D4	F301HCL00BXP	DOOR KEY LEVER	1	
	D5	F301P3C50BP	DOOR EU (U)	1	INCLUDES DOOR SCREEN A, FIXING BRACKET
	D6	F30183230BP	DOOR KEY A	1	
	D7	F30193231BP	DOOR KEY B	1	
	D8	F3021CL00BXP	DOOR KEY SPRING	1	
	D9	F3056CL00BXP	HANDLE PIN	2	
	D10	F30703C52BP	HANDLE PIECE A	1	
	D11	F30853C50BP	DOOR C	1	
	D12	F31343C52BP	HANDLE PIECE B	1	
	D14	F31473230BP	HANDLE PIECE C	1	
	D15	XYN4+J30FN	SCREW	2	(4×30)
	D16	F32133230BP	DOOR HANDLE SPACER	2	
	D17	F32163230BP	HANDLE SPACER	2	
	D18	XTBA4+12FKJ	SCREW	4	(4×12) BLACK
	D19	XYN4+F25FN	SCREW	2	(4×25)
	D20	F33343C50BP	DOOR GASKET RUBBER	1	
	D21	F31863C50BP	DOOR PANEL	1	NE-C1275BDQ
	D21	F31863C60EU	DOOR PANEL	1	NE-C1475EYG
	D22	F390L3C50BP	DOOR U	1	NOTE

NOTE: Please order door panel together.

14 ESCUTCHEON BASE ASSEMBLY

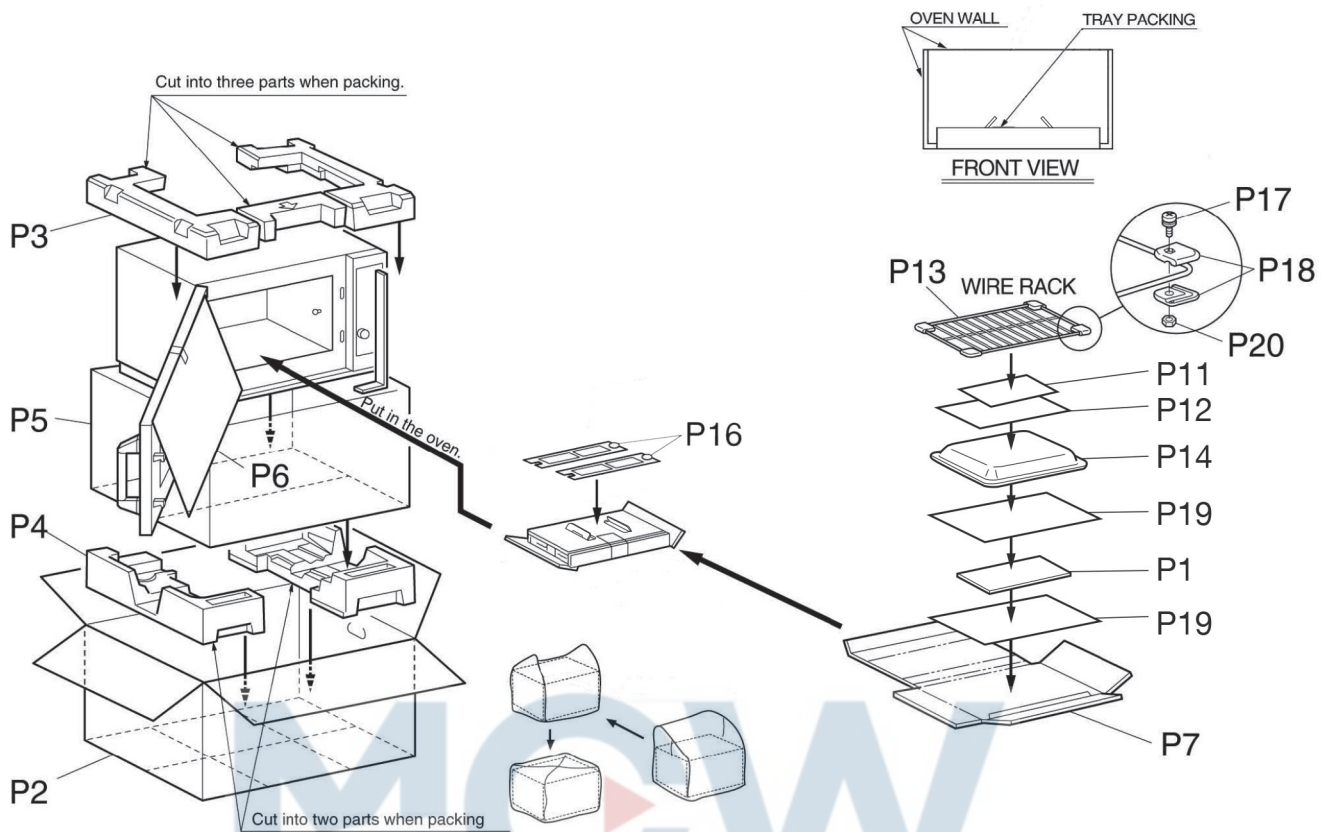


(S-3C5 BDQ)

Safety	Ref. No.	Part No.	Part Name & Description	Pcs/set	Remarks
	E1	F01573231BP	NAME LABEL	1	NE-C1275BDQ
	E1	F01573231GP	NAME LABEL	1	NE-C1475EYG
	E2	F0962A00AH	CUSHION RUBBER	2	
⚠	E3	F603L3K10BP	D.P.CIRCUIT (U)	1	NE-C1275BDQ, DPC
⚠	E3	F603L3K10EU	D.P.CIRCUIT (U)	1	NE-C1475EYG, DPC
	E4	A605Q-3E4A	PC BOARD F (U)	1	
	E5	F60203C60EU	SD MEMORY CARD	1	WITH MEMORY WRITE
	E6	F83373C50BP	ESCUTCHEON SHEET	1	
	E7	XTW3+10BJ	SCREW	8	(3×8)
⚠	E8	A64793C50BP	MEMBRANE SWITCH	1	
	E9	F4898-3B40	SCREW	1	
	E10	F800N-3B40	ESCUTCHEON A	1	NOTE
	E11	F80343C50BP	ESCUTCHEON BASE	1	
	E12	F0962A00DE	CUSHION RUBBER	1	
	E13	F80023C50BP	ESCUTCHEON B	1	
	E14	F8032-3B40	SD BRACKET	1	
	E15	A8265-3B40	PUSH LOCK	1	
	E16	A6408-3280	WASHER	1	

NOTE: Please order name label together.

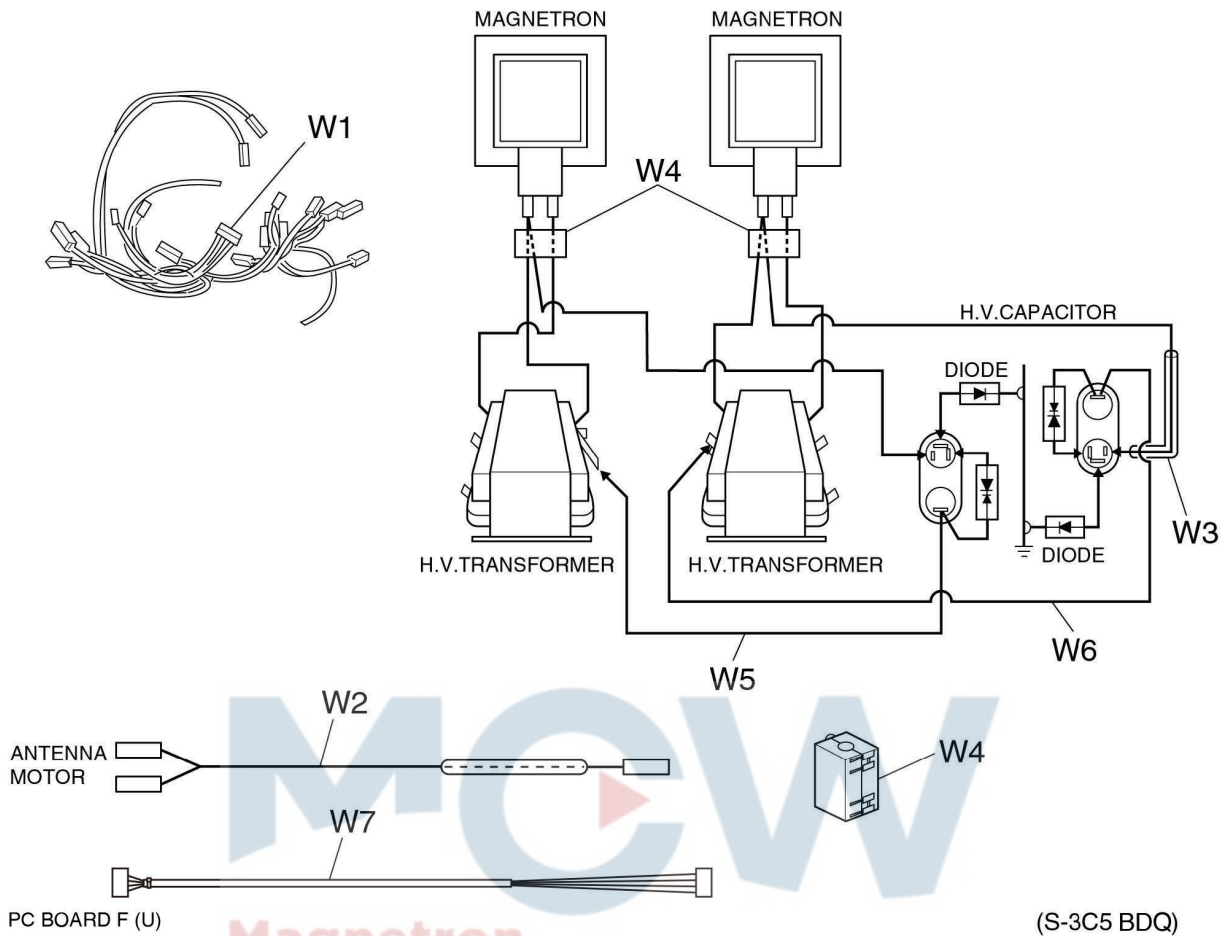
15 PACKING AND ACCESSORIES



(S-3C5 BDQ)

Safety	Ref. No.	Part No.	Part Name & Description	Pcs/set	Remarks
	P1	F00033C50BP	INSTRUCTION BOOK	1	NE-C1275BDQ
	P1	F00033C60EU	INSTRUCTION BOOK	1	NE-C1475EYG
	P2	F01023C50BP	PACKING CASE, PAPER	1	NE-C1275BDQ
	P2	F01023C60EU	PACKING CASE, PAPER	1	NE-C1475EYG
	P3	F01043841AP	UPPER FILLER	1	
	P4	F01053841AP	LOWER FILLER	1	
	P5	F01065131AP	VINYL COVER	1	
	P6	F0107581AP	DOOR SHEET	1	NE-C1275BDQ
	P6	F0107581APS	DOOR SHEET	1	NE-C1475EYG, WITH RECYCLE LABEL
	P7	F01083C50BP	TRAY PACKING	1	NE-C1275BDQ
	P7	F01083C50BPS	TRAY PACKING	1	NE-C1475EYG, WITH RECYCLE LABEL
	P9	F0145BW10XP	DOOR SHEET B	1	NE-C1275BDQ
	P9	F0145BW10XPS	DOOR SHEET B	1	NE-C1475EYG, WITH RECYCLE LABEL
	P11	F04243C60EU	INSTRUCTION BOOK B	1	NE-C1475EYG
	P12	F04203C50BP	OPERATING GUIDE	1	NE-C1275BDQ
	P12	F04203C60EU	OPERATING GUIDE	1	NE-C1475EYG
	P13	F06023C50BPS	WIRE RACK SHELF (U)	1	INCLUDES SCREW (P17), WIRE RACK FOOT, NUT (P20)
⚠	P14	A06033230GP	COOKING TRAY	1	
	P16	F400B3840AP	AIR FILTER	2	
	P17	XYN4+C10V	SCREW	4	(4×10 SUS)
	P18	F06433C50BP	WIRE RACK FOOT	8	
	P19	F0107CL00XP	DOOR SHEET	2	NE-C1275BDQ
	P19	F0107CL00XPS	DOOR SHEET	2	NE-C1475EYG, WITH RECYCLE LABEL
	P20	XNG4V	NUT	4	(M4 SUS)

16 WIRING MATERIAL



Safety	Ref. No.	Part No.	Part Name & Description	Pcs/set	Remarks
	W1	F030A3C51BP	LEAD WIRE HARNESS	1	
	W2	F03603C50BP	LEAD WIRE	1	FOR ANTENNA MOTOR
	W3	F61393230BP	INSULATION TUBE	1	
	W4	A50953310BP	FERRITE CORE	2	
	W5	F606V3230BP	PROTECTOR DIODE A	1	
	W6	F606W3230BP	PROTECTOR DIODE B	1	
	W7	A03823C50BP	LEAD WIRE	1	FOR PC BOARD F (U)