

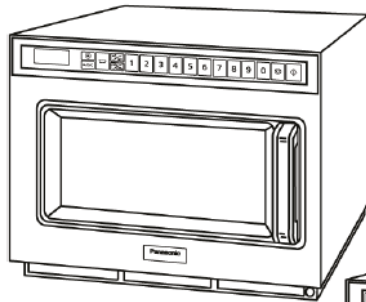
Onderdelen tekening / Exploded view

Microwave Oven

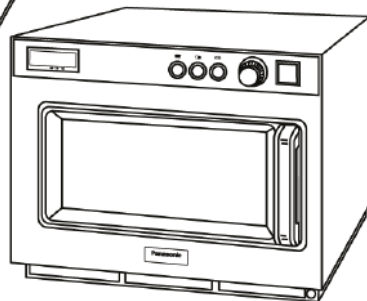
NE-2143-2 EYG

NE-2153-2 EYG

(Continental Europe)



NE-2153-2



NE-2143-2

Let op ! Please note ! :

de onderdelen in deze tekening zijn voor magnetrons geproduceerd na MEI 2022. Heeft u een ouder model neem dan contact met ons op via onderstaand email adres :

the parts in this drawing are for microwaves produced after MAY 2022. If you have an older model, please contact us at the email address below :

service@magnetron.biz

M_CW
Magnetron
Centrum
Waalwijk

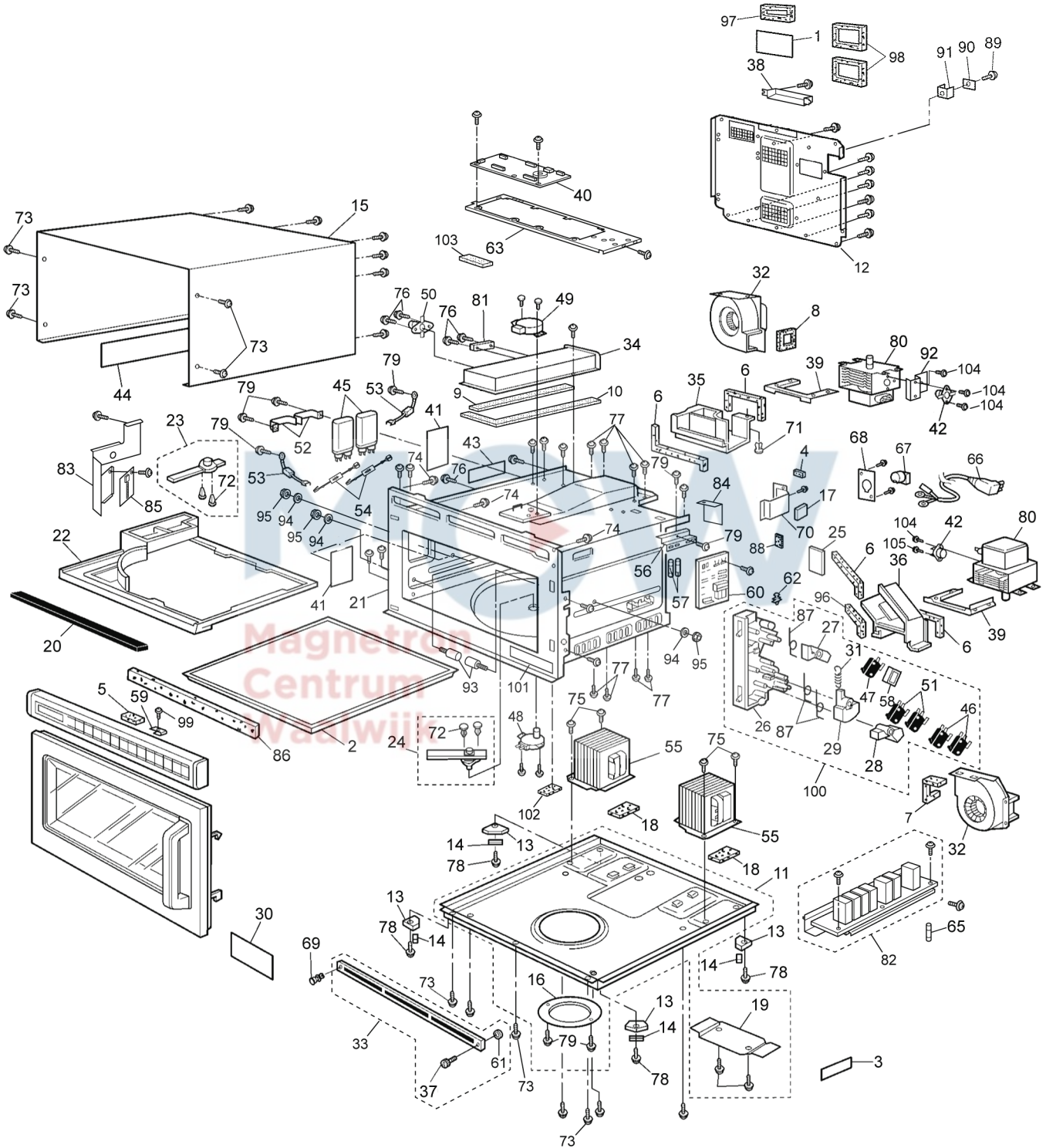
Panasonic[®]

© Panasonic Corporation 2021 Unauthorized copying and distribution is a violation of law.

11 Exploded View and Replacement Parts List

11.1. Exploded view and parts list

NE-2153-2EYG,NE-2143-2EYG



PARTS LIST

- NOTE 1: When ordering replacement part(s), please use part number(s) shown in this parts list.
Do not use description of the part.
- 2: Important safety notice:
Components identified by \triangle mark have special characteristics important for safety.
When replacing any of these components, use only manufacturer's specified parts.
- 3: Alphabet marks in Remarks columns (i.e. HNE etc) indicate parts applicable to only specified country models as follows.

EYG : Continental Europe Countries

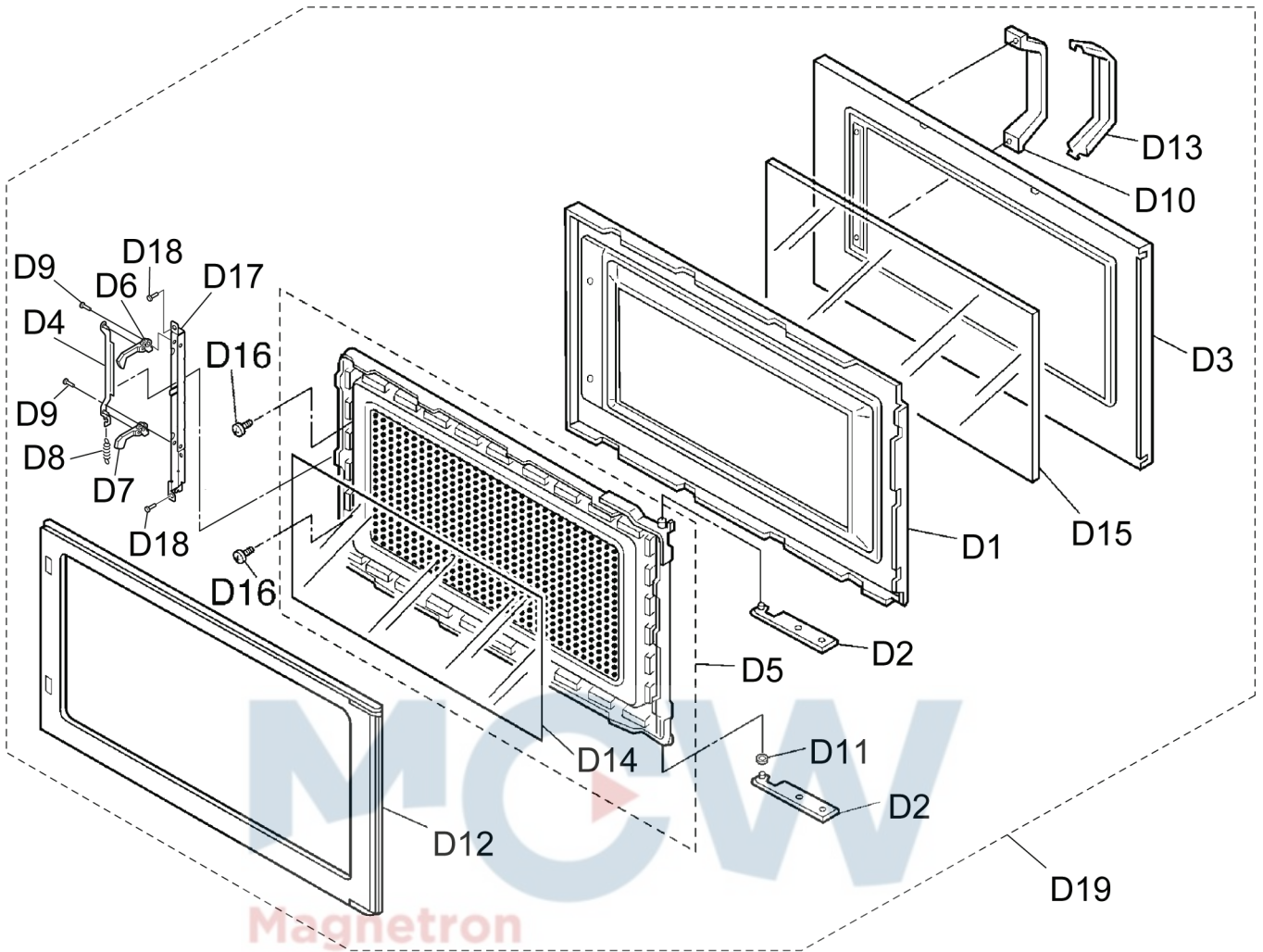
Parts without these marks can be used for all models.

NE-2153-2EYG,NE-2143-2EYG

Safety	Ref. No.	Part No.	Part Name & Description	Pcs/set	Remarks
	1	F00068K30EU	CAUTION LABEL	1	
	2	ANE010T8U0AP	SHELF	1	
\triangle	3	H05243G10EU	NAME LABEL	1	NE-2153-2EYG
\triangle	3	H05243G20EU	NAME LABEL	1	NE-2143-2EYG
	4	H0920000CD	CUSHION RUBBER C	1	
	5	H0922000CC	CUSHION RUBBER C	1	NE-2153-2EYG
	6	H0922000AN	CUSHION RUBBER C	4	
	7	H0922000AJ	CUSHION RUBBER C	1	
	8	H0923000AN	CUSHION RUBBER C	1	
	9	H0962000AV	CUSHION RUBBER D	1	
	10	H0962000AP	CUSHION RUBBER D	1	
	11	H100A-3290	BASE	1	
	12	H100Q3F90EU	BACK PANEL	1	
	13	A1007-3280	FOOT	4	
	14	A1008-3280	RUBBER FOOT	4	
	15	H10093E80AP	CABINET BODY	1	
	16	ANE10288U0AP	ANTENNA MOTOR COVER	1	
	17	H10498U0AP	CUSHION RUBBER	1	
	18	H10623E80AP	CUSHION RUBBER B	2	FOR H.V.TRANSFORMER
	19	H11668U0AP	BASE METAL	1	
	20	H11748U0AP	SPACER	1	
\triangle	21	H200A3G10EU	OVEN U	1	
\triangle	22	H2011-3280S	CEILING PLATE	1	
	23	H202K-3850S	ANTENNA UPPER (U)	1	
	24	H202V3310GPS	ANTENNA LOWER (U)	1	
	25	H21208U0AP	SPACER	1	
\triangle	26	A3020-3853	DOOR HOOK A	1	
\triangle	27	A3136-3470	HOOK SPACER A	1	
\triangle	28	A3138-3470	HOOK SPACER C	1	
\triangle	29	A31373F90BP	HOOK SPACER B	1	
	30	H31863G10EU	DOOR PANEL	1	NE-2153-2EYG
	30	H31863G20EU	DOOR PANEL	1	NE-2143-2EYG
	31	ANE32398U0AP	SPRING	1	
	32	A400A3F90EU	FAN MOTOR	2	
	33	H400B-3280S	AIR FILTER KIT	1	
	34	H4024-3180	EXHAUST GUIDE A	1	
	35	H40258U0AP	AIR GUIDE A	1	UPPER
	36	H40268U0AP	AIR GUIDE B	1	LOWER
	37	A4091-3290	SCREW	1	FOR AIR FILTER FLAME
	38	A41073980AP	EXHAUST GUIDE B	1	
	39	ANE50328U0AP	MAGNETRON BRACKET	2	
\triangle	40	A603L3G1AEU	D.P.CIRCUIT (U)	1	NE-2153-2EYG, PCB AU
\triangle	40	A603L3G2AEU	D.P.CIRCUIT (U)	1	NE-2143-2EYG, PCB AU
	41	F60408U0AP	OVEN LAMP SHEET	2	
\triangle	42	A61454210AP	THERMAL CUTOUT	2	FOR MAGNETRON
	43	ANE60708U0BP	INSULATION SHEET A	1	
	44	A60713310BP	INSULATION SHEET B	1	
\triangle	45	A63903A80BPS	H.V.CAPACITOR	2	(1.14uF)
\triangle	46	ANE6142-F60	MICRO SWITCH	2	(V-15G-3C26) PRIMARY INTERLOCK SWITCH
\triangle	47	ANE61424L0AG	MICRO SWITCH	1	(V-16G-3C26) SECONDARY INTERLOCK SWITCH
	48	A6144-3E20	ANTENNA MOTOR	1	(3W) LOWER
	49	A6144-3E10	ANTENNA MOTOR	1	(3W) UPPER

Safety	Ref. No.	Part No.	Part Name & Description	Pcs/set	Remarks
△	50	A61454050AP	THERMAL CUTOOUT	1	FOR OVEN (U)
△	51	ANE6161-3X0	MICRO SWITCH	2	(V-16G-1C25) INTERLOCK MONITOR SWITCH
	52	H61888U0AP	CAPACITOR BRACKET	2	
△	53	A6202-3280	DIODE, SI	2	
△	54	A606V3F00APS	PROTECTOR DIODE, SI	2	
△	55	A622B3G10EU	H.V.TRANSFORMER	2	
	56	ANE62298U0AP	MOUNTING BRACKET	1	
△	57	A62303A80BP	FUSE	2	(12A)
	58	A62383230GP	SPACER	1	
	59	ANE64086Q0AP	WASHER	1	NE-2153-2EYG
△	60	A603Y3G1AEU	PC BOARD D (U)	1	PCB DU
	61	A6408-3280	WASHER	1	FOR AIR FILTER FRAME
	62	ANE65448U0AP	SPACER A	1	
	63	H6585-3B10	P.C.B.HOLDER	1	
	65	A65953700BP	FUSE B	1	(2.5A)
△	66	A900C3340EU	AC CORD W/PLUG	1	
	67	ANE9027510RN	CORD BUSHING	1	
	68	H90353060GP	CORD BRACKET	1	
	69	ANE90828U0AP	CLIP (BLACK)	1	FOR AIR FILTER FRAME
	70	H91448U0AP	BRACKET	1	
	71	ANE91628U0AP	CLIP B	1	FOR AIR GUIDE A
	72	ANE91658V0AP	CLIP	4	FOR ANTENNA UPPER (U), ANTENNA LOWER (U)
	73	XTC4+10BC	SCREW	7	(4X10) FOR CABINET BODYx4, BASEx3
	74	XTN4+12GGJ	SCREW	3	(4X12) FOR ESCUTCHEON BASE (U)
	75	XTEA5+10BJ	SCREW	4	(5x10) FOR H.V. TRANSFORMER
	76	XTWANE3+8EX	SCREW	5	(3X8) FOR TEMP SENSORx2, THERMAL CUTOOUTx2, EXHAUST GUIDE A
	77	XYESA5+C16TJ	SCREW	8	(5X16) FOR MAGNETRON
	78	XTW3+8EFJ	SCREW	4	(3X8) FOR FOOT
	79	KYD4+EE12FJ	SCREW	10	(4X12) FOR DIODE SIXx2, CAPACITOR BRACKETx2, AC CORD W/PLUG, MOUNTING BRACKET, ANTENNA MOTOR COVERx2, BASE METALx2
△	80	2M261-M1J3YF-VP	MAGNETRON	2	
△	81	A601L5150AP	TEMP SENSOR	1	
△	82	H692R3G10EU	RELAY BRACKET (U)	1	
△	83	A6603-3E10	LAMP BRACKET	1	
△	84	A61713A80BP	INSULATION SHEET D	1	
△	85	A605S-3J0A	PC BOARD H (U)	1	PCB HU
	86	H8251-3180	SPACER	1	
	87	ANE32628U1AP	SPRING	3	
	88	H1062-8U0	CUSHION RUBBER	1	FOR AIR GUIDE B
	89	XYE6+F20FJ	SCREW	1	FOR BACK PANEL COVER
	90	XWNANE65GV	WASHER	1	FOR EARTH
	91	H66623170GP	BRACKET	1	FOR EARTH
	92	H61643030GP	BRACKET	1	FOR MAGNETRON
	93	A18593560GP	SHELF SUPPORT	3	
	94	XWG5BV	WASHER	3	
	95	XNW5EFN	NUT	3	
	96	H0922000AI	CUSHION RUBBER C	1	
	97	H0922000AP	CUSHION RUBBER C	1	
	98	H0922000AY	CUSHION RUBBER C	2	
	99	XTWA4+8BJ	SCREW	1	NE-2153-2EYG, (4X8) FOR MEMBRANE SWITCH
△	100	A393C3318GP	DOOR HOOK (U)	1	
	101	H01703F90EU	DOOR LABEL	1	
	102	H0922000CE	CUSHION RUBBER C	1	FOR OVEN (U) (BOTTOM PLATE)
	103	H0961000CJ	CUSHION RUBBER D	1	FOR OVEN (U) (UPPER PLATE)
	104	XTEA3+6BJ	SCREW	4	(3X6) FOR THERMAL CUTOOUT (Ref No.42)
	105	XYP4+AF6J	SCREW	1	(4X6) FOR THERMAL CUTOOUT (Ref No.42)
		XTWANE4+8BN	SCREW	5	(4X8) FOR EXHAUST GUIDE Ax3, TEMP SENSOR, PC BOARD H (U)
		XSQ5+10FJ	SCREW	4	(5X10) FOR HINGE
		XTT4+8RDNV1	SCREW	6	(4X8) FOR RELAY BRACKET (U), BASEx4, BRACKET
		XTTANE4+12BN	SCREW	12	(4X12) FOR BACK PANELx7, EXHAUST GUIDE B, LAMP BRACKET, P.C.B.HOLDER, CORD BRACKETx2
		XTW3+6EFJ	SCREW	4	(3X6) FOR ANTENNA MOTOR
		XTW4+12TJV1	SCREW	2	(4X12) FOR DOOR HOOK (U)
		XTW4+8LHJ	SCREW	5	(4X8) FOR FAN MOTOR
		XTWANE4+12DN	SCREW	9	(4X12) FOR CABINET BODY
		XYC3+FF8FJ	SCREW	2	(3X8) FOR D.P.CIRCUIT (U)
		XYN4DF10BN	SCREW	1	(4X10) FOR PC BOARD D (U)

11.2. DOOR ASSEMBLY

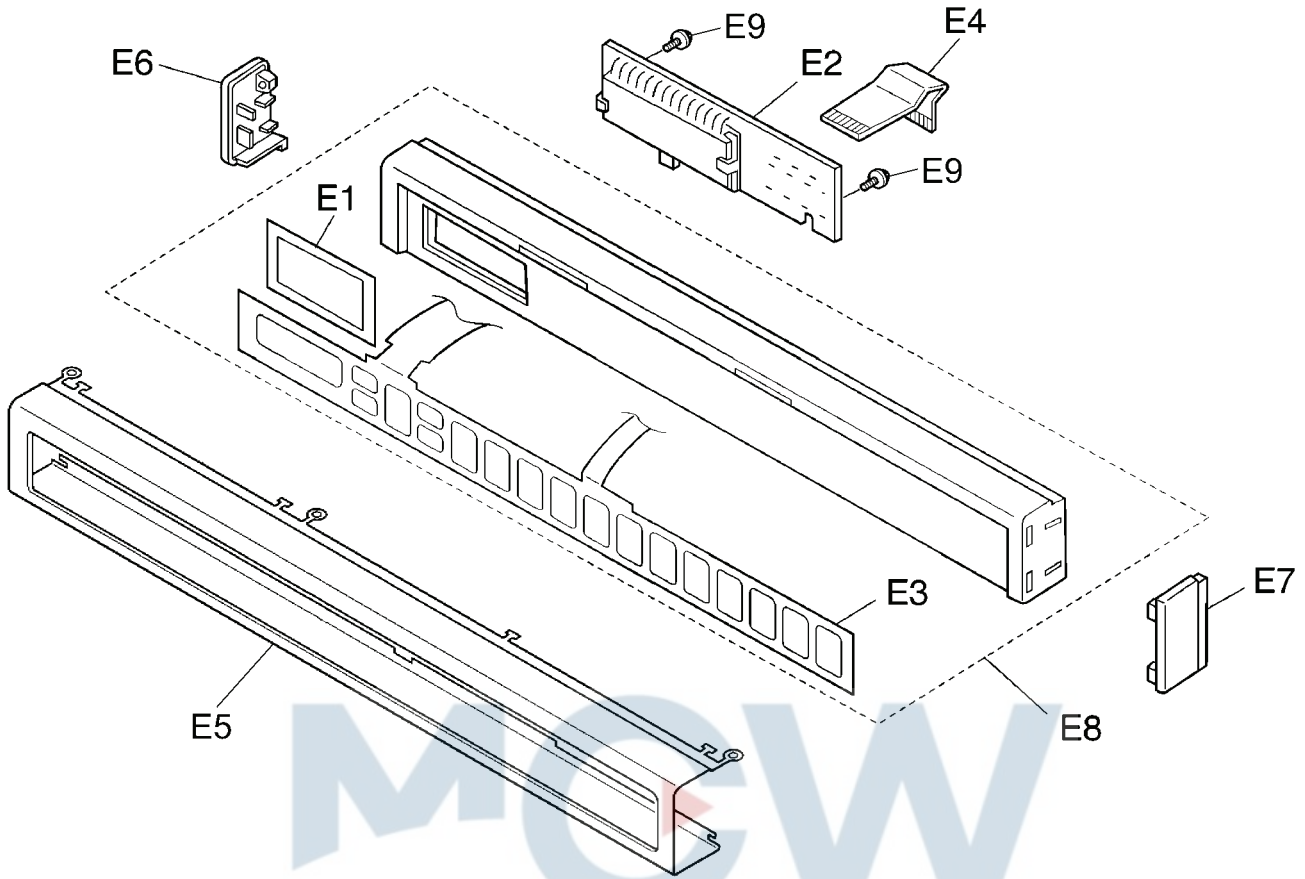


Magnetron
Centrum
Waalwijk

Safety	Ref. No.	Part No.	Part Name & Description	Pcs/set	Remarks
	D1	F3003CL00XPS	DOOR FRAME (U)	1	
⚠	D2	H3007-3J00	HINGE	2	
⚠	D3	F301ACL00XP	DOOR A	1	
	D4	H301H-3850	DOOR KEY LEVER B	1	
⚠	D5	F301Q-3500	DOOR EU	1	NOT INCLUDE DOOR SCREEN A
	D6	H3018-3850	DOOR KEY	1	
	D7	H3019-3850	DOOR KEY B	1	
	D8	F3021CL00XP	DOOR KEY SPRING	1	
	D9	ANE30562Q0AP	HANDLE PIN	2	
	D10	F30703170GP	HANDLE PEICE A	1	
	D11	ANE3081P60AP	DOOR HINGE SPACER	1	
	D12	F3085CL00XP	DOOR C	1	
	D13	ANE31348U1AP	HANDLE PEICE B	1	
⚠	D14	F3145-3B10	DOOR SCREEN A	1	
	D15	ANE31468U0AP	DOOR SCREEN B	1	
	D16	XYEA4+C16TSJ	SCREW	2	(4X16) FOR HANDLE PEICE A
	D17	F3023CL00XP	DOOR KEY MOUNTING PLATE	1	
	D18	XTT4+8RDNV1	SCREW	2	(4X8) FOR DOOR KEY MOUNTING PLATE
⚠	D19	H390L-3500	DOOR (U)	1	

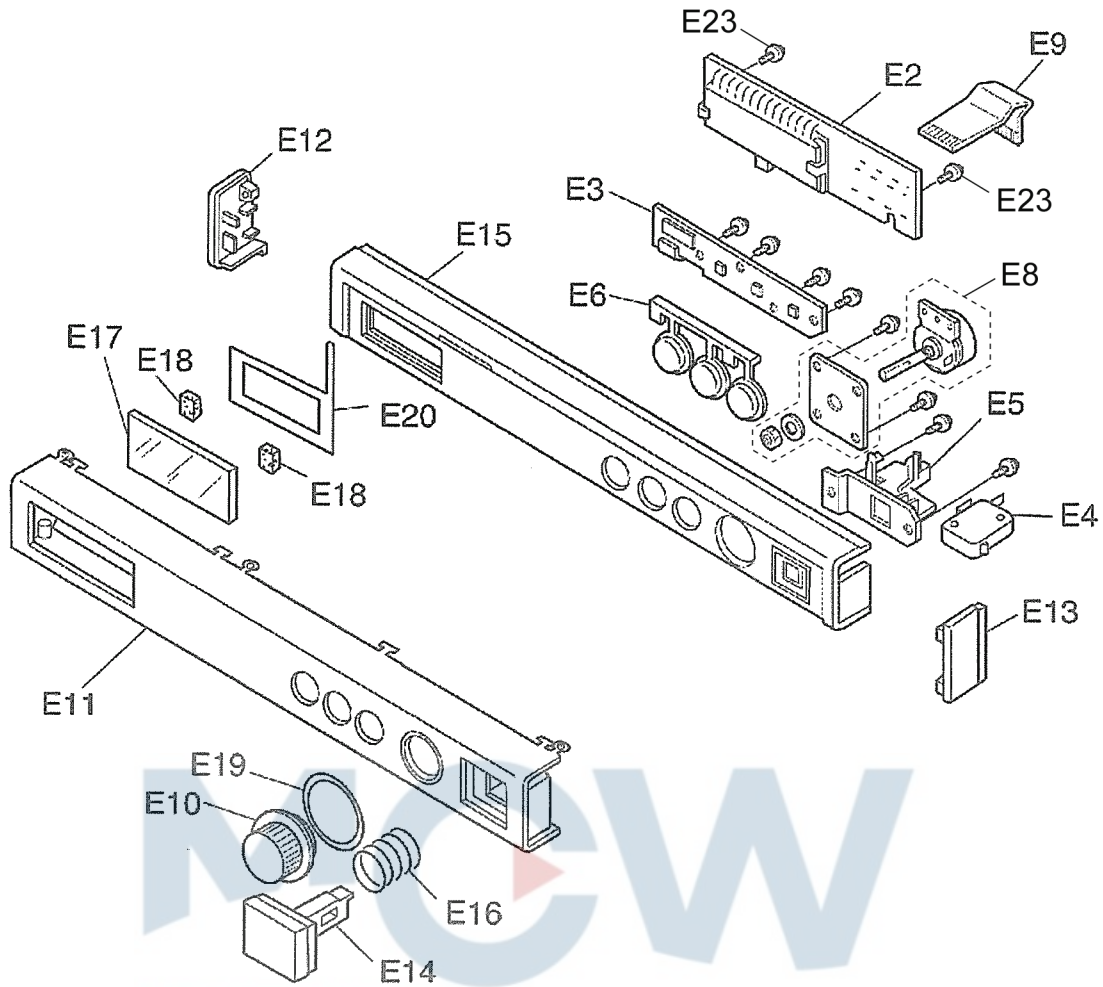
11.3. ESCUTCHEON BASE ASSEMBLY

NE-2153-2EYG



NE-2153-2EYG

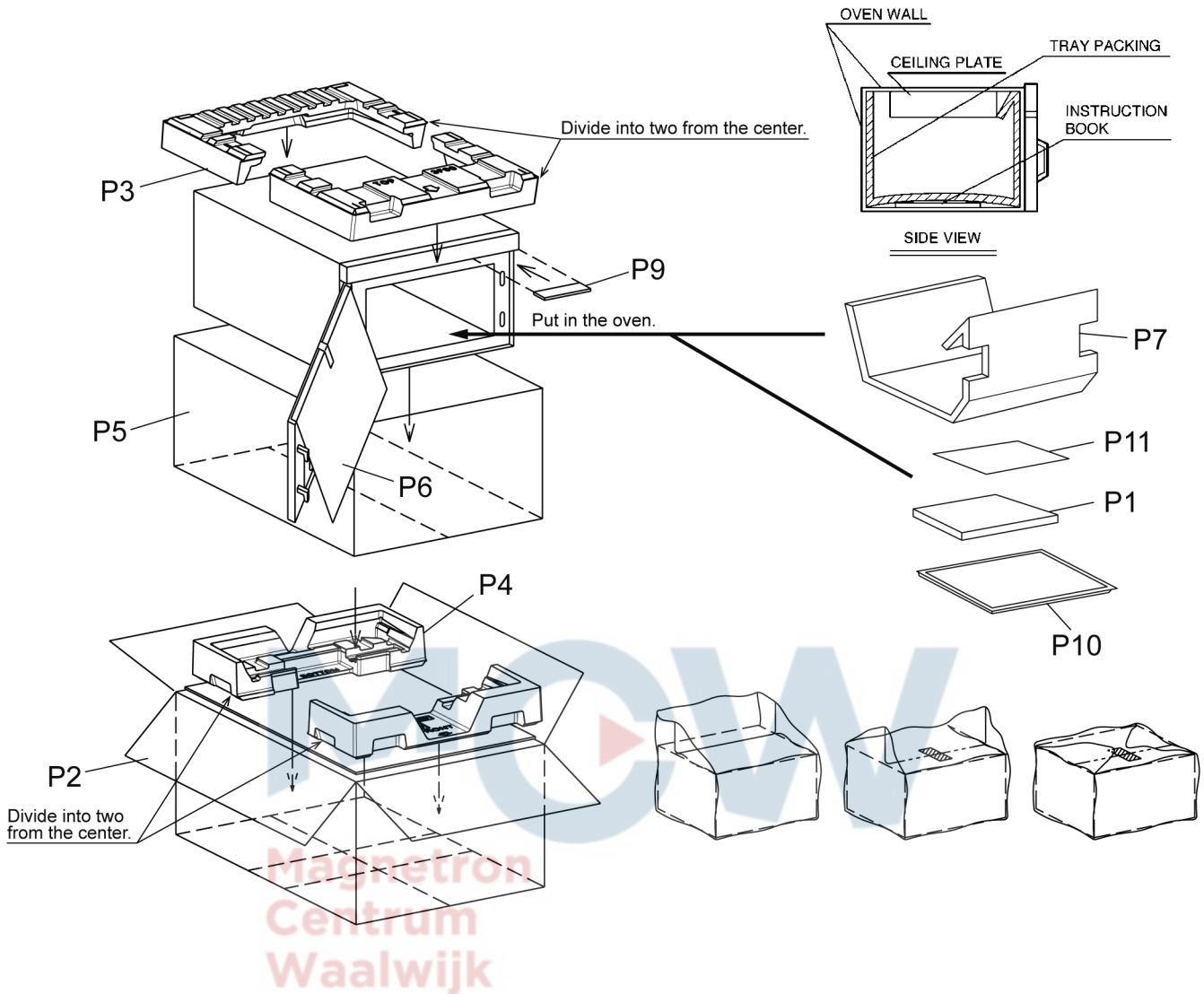
Safety	Ref. No.	Part No.	Part Name & Description	Pcs/set	Remarks
	E1	A80163F80AP	SPACER	1	
	E2	A603M-3J0A	PC BOARD B (U)	1	PCB BU
	E3	H630Y3F90EUS	MEMBRANE SWITCH	1	
	E4	A6590-3E20	FLAT CABLE	1	
	E5	H801N8U0APS	ESCUTCHEON A (U)	1	
	E6	H80023E20P6	ESCUTCHEON B	1	
	E7	H80063E20P6	ESCUTCHEON D	1	
	E8	H800L3F90EUS	ESCUTCHEON BASE (U)	1	
	E9	XTN4+12GGJ	SCREW	2	(4X12) FOR PC BOARD B (U)



Magnetron
Centrum
Waalwijk

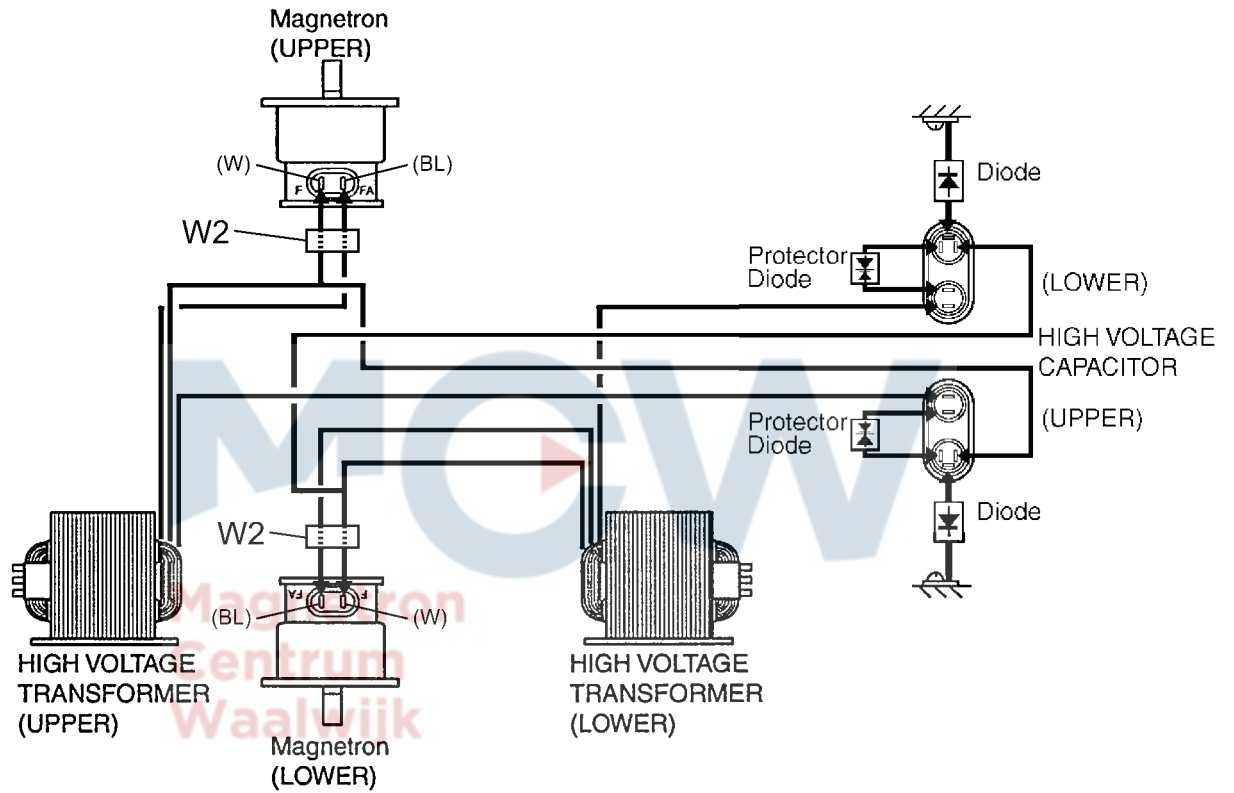
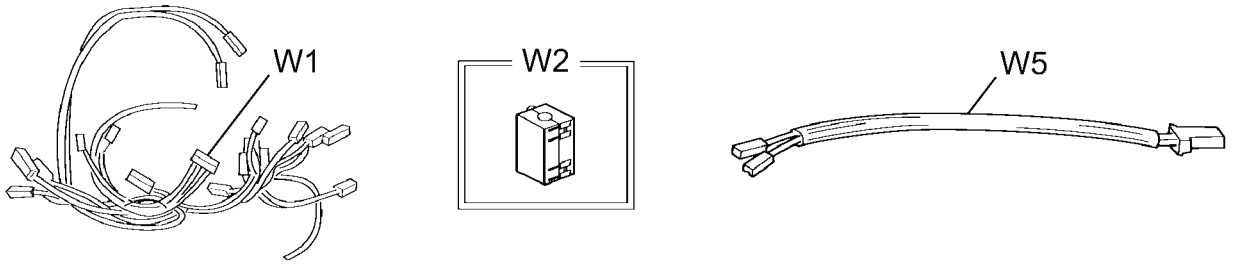
Safety	Ref. No.	Part No.	Part Name & Description	Pcs/set	Remarks
	E2	A603M-3J0A	PC BOARD B (U)	1	PCB BU
	E3	ANE605Q8Y0BP	PC BOARD F (U)	1	PCB FU
	E4	ANE61424L0AG	MICRO SWITCH	1	
	E5	H61628Y0BP	START SWITCH BRACKET	1	
	E6	ANE62648Y0BP	SELECT SWITCH BUTTON	1	
	E8	A608C3G0AEUS	TIMER KIT	1	
	E9	A6590-3E20	FLAT CABLE	1	
	E10	A800D3G00EU	TIMER KNOB	1	
	E11	H80018Y0BP	ESCUTCHEON A (U)	1	
	E12	H80023E20P6	ESCUTCHEON B	1	
	E13	H80063E20P6	ESCUTCHEON D	1	
	E14	ANE803X8Y0BP	START BUTTON	1	
	E15	H80343G00EU	ESCUTCHEON BASE	1	
	E16	H80378Y0BP	COOK BUTTON SPRING	1	
	E17	H81263G00EU	SMOKE PANEL	1	
	E18	H0920000BA	CUSHION RUBBER C	2	
	E19	H82878Y0BP	SPACER A	1	
	E20	H83373G00EU	ESCUTCHEON SHEET	1	
	E21	H03543320GP	LEAD WIRE	1	
	E22	H03553G00EU	LEAD WIRE	1	
	E23	XTN4+12GGJ	SCREW	2	(4X12) FOR PC BOARD B (U)
		XTN4+10JFJ	SCREW	2	(4X10) FOR TIMER KIT
		XTW3+10PFJ	SCREW	2	(3X10) FOR START SWITCH BRACKET
		XTW3+8PFJ	SCREW	4	(3X8) FOR PC BOARD F (U)

11.4. PACKING AND ACCESSORIES



Safety	Ref. No.	Part No.	Part Name & Description	Pcs/set	Remarks
⚠	P1	H00033F90EU	INSTRUCTION BOOK	1	
	P2	H01023G10EUS	PACKING CASE, PAPER	1	NE-2153-2EYG
	P2	H01023G20EUS	PACKING CASE, PAPER	1	NE-2143-2EYG
	P3	H01043F90EU	UPPER FILLER	1	
	P4	H01053F90EU	LOWER FILLER	1	
	P5	H01065200AP	VINYL COVER	1	
	P6	H01072Q00AP	DOOR SHEET B	1	
⚠	P7	H01083C00BP	TRAY PACKING	1	
	P9	H01453E20P6	DOOR SHEET B	1	
	P10	A012D3C00BP	SHELF B	1	
	P11	H01723F90EU	WARNING LABEL	1	

11.5. WIRING MATERIAL



Safety	Ref. No.	Part No.	Part Name & Description	Pcs/set	Remarks
⚠	W1	F030A3F90EU	LEAD WIRE HARNESS	1	
⚠	W2	A0KG00000169	FERRITE CORE	2	
	W5	A03523F90BP	LEAD WIRE	1	