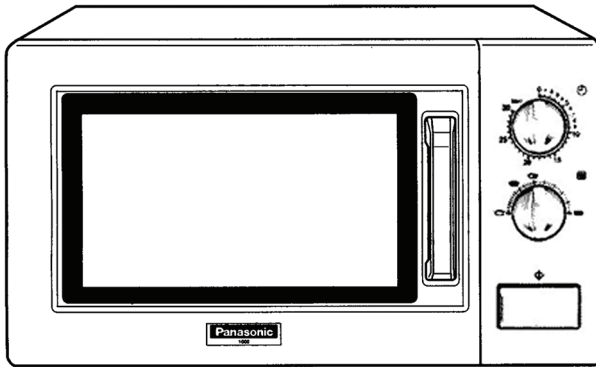
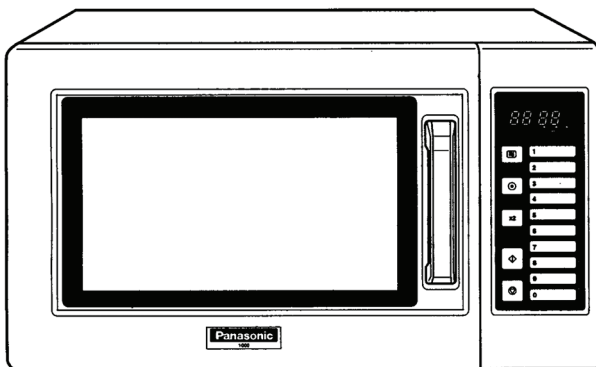


Onderdelen tekening / Exploded view

Microwave Oven



NE-1027



NE-1037

NE-1027_{EYG}

NE-1037_{EYG}

(Continental Europe)

Let op ! Please note ! :

de onderdelen in deze tekening zijn voor magnetrons geproduceerd na MEI 2021. Heeft u een ouder model neem dan contact met ons op via onderstaand email adres :

the parts in this drawing are for microwaves produced after MAY 2021. If you have an older model, please contact us at the email address below :

service@magnetron.biz

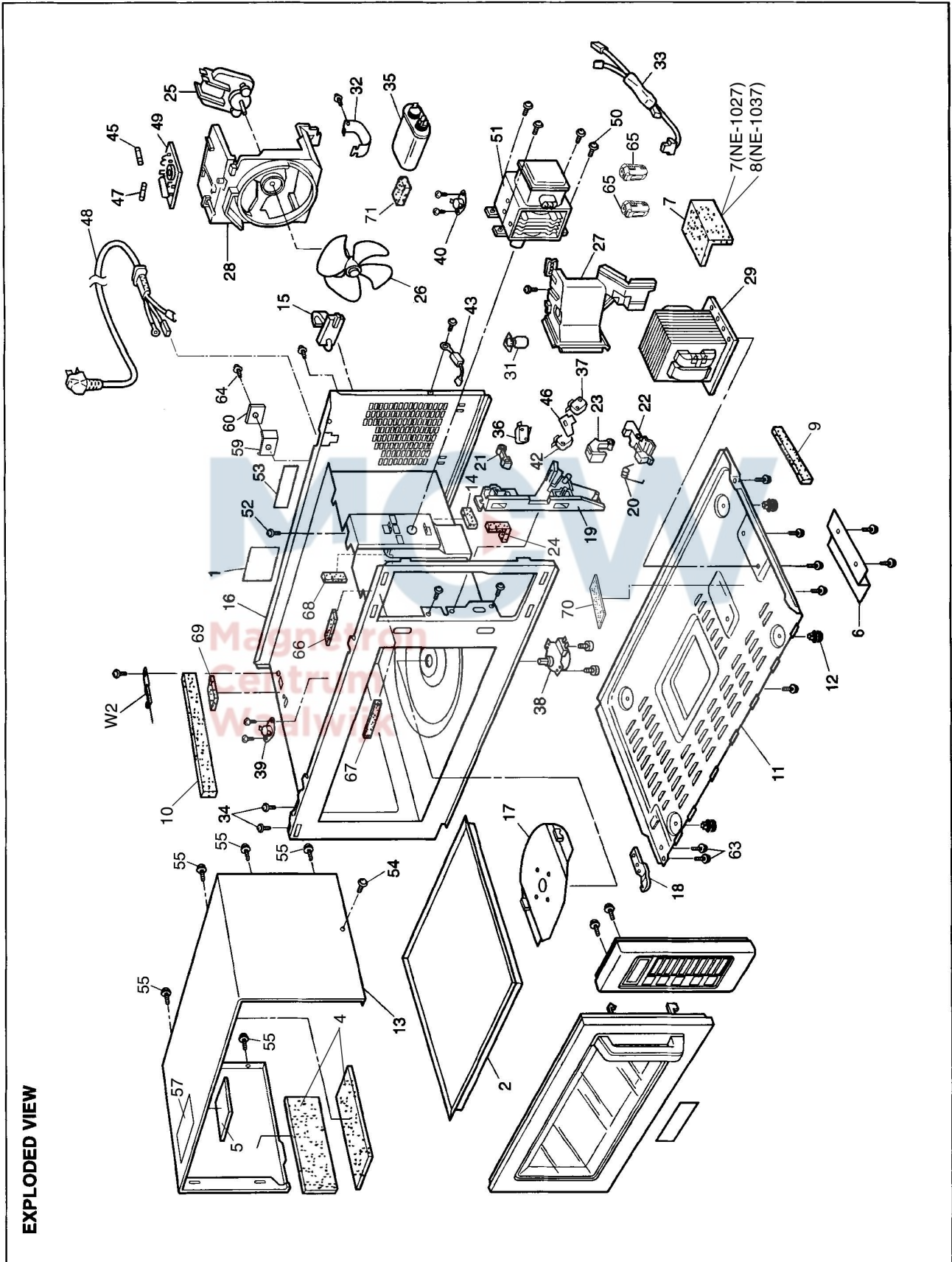
MCW
Magnetron
Centrum
Waalwijk

Panasonic[®]

© Panasonic Corporation 2021 Unauthorized copying and distribution is a violation of law.

10 EXPLODED VIEW AND PARTS LIST

10.1. EXPLODED VIEW



EXPLODED VIEW

10.2. PARTS LIST

NOTE:

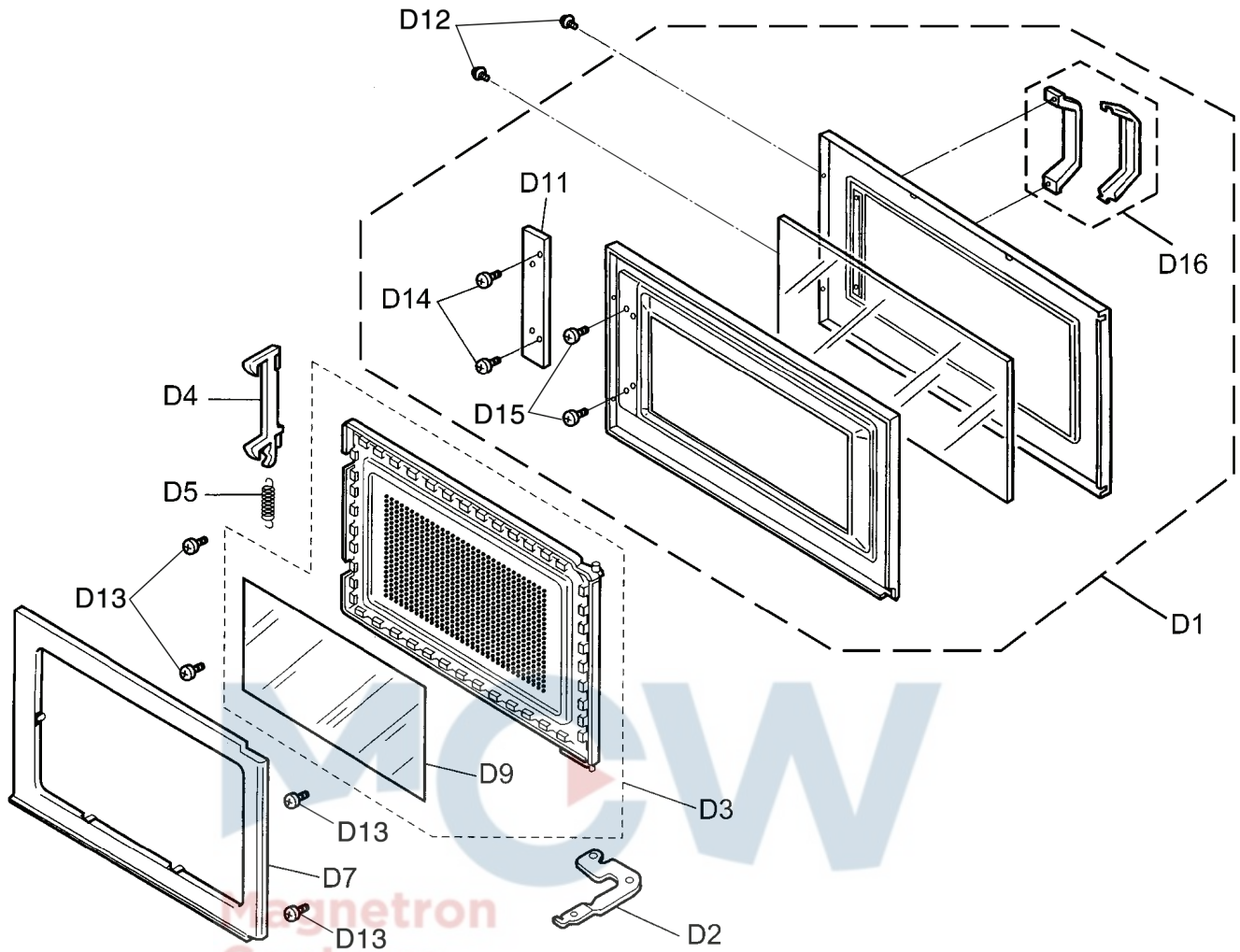
- When ordering replacement part(s), please use part number(s) shown in this part list.
Do not use description of the part.
- Important safety notice:
Components identified by \triangle mark have special characteristics important for safety.
When replacing any of these components, use only manufacture's specified parts.

Ref. No.	Part No.	Part Name & Description	Pcs/set	Remarks
1	ZH00064080BP	CAUTION LABEL	1	BDQ
1	Z00068K30EU	CAUTION LABEL	1	EYG
2	Z010T3700BP	SHELF	1	
4	Z12218K30BP	BODY CUSHION RUBBER	2	
5	ZH0921000JK	CUSHION RUBBER	1	
6	ZH10403700BP	BASE BRACKET	1	
7	Z0912000FF	CUSHION RUBBER	2	1027 BDQ/EYG
7	Z0912000FF	CUSHION RUBBER	1	1037 BDQ/EYG
8	ZH10499J90BP	CUSHION RUBBER	1	1037 BDQ/EYG
9	ZH0922000CH	CUSHION RUBBER	1	
10	ZH0962000AQ	CUSHION RUBBER	1	
11	ZH10013700BP	BASE	1	
12	Z1008-1180S	RUBBER FOOT	4	
13	ZH10093700BP	CABINET BODY	1	1027 BDQ/EYG
13	ZH10099J90BP	CABINET BODY	1	1037 BDQ/EYG
14	Z10498K30BP	CUSHION RUBBER	1	
15	ZH11406V00HP	STOPPER	1	
16	\triangle ZH200A8K30RU	OVEN CAVITY	1	
17	ZH203P3700BP	ANTENNA (U)	1	
18	Z30073700BP	LOWER HINGE	1	
19	\triangle Z3020-1480	DOOR HOOK A	1	
20	Z3097-1480	SPRING	1	
21	Z3136-1480	HOOK SPACER A	1	
22	Z3137-1480	HOOK SPACER B	1	
23	Z3138-1480	HOOK SPACER C	1	
24	ZH0923000BDNS	CUSHION RUBBER	1	
25	\triangle Z400A3700BP	FAN MOTOR	1	
26	Z4008-1480	FAN BLADE	1	
27	ZH40253700BP	AIR GUIDE A	1	
28	ZH41445540AP	ORIFICE	1	
29	\triangle Z622B3700HN	H.V. TRANSFORMER	1	
31	Z612E9X70BP	INCANDESCENT LAMP (U)	1	
32	ZH6037-3700	CAPACITOR BRACKET	1	
33	Z606V3700BP	PROTECTOR DIODE (U)	1	
34	ZYFBFE4+AF8	SCREW	2	FOR UPPER HINGE
35	\triangle Z60903700GP	H.V. CAPACITOR	1	
36	\triangle Z6142-1450	MICRO SWITCH	1	1027 BDQ/EYG, PRIMARY INTERLOCK SWITCH
36	\triangle Z6142-1900	MICRO SWITCH	1	1037 BDQ/EYG, PRIMARY INTERLOCK SWITCH
37	\triangle Z6142-1450	MICRO SWITCH	1	1027 BDQ/EYG, SECONDARY INTERLOCK SWITCH
37	\triangle Z61425180AP	MICRO SWITCH	1	1037 BDQ/EYG, SECONDARY INTERLOCK SWITCH
38	\triangle Z61443660AP	ANTENNA MOTOR	1	
39	\triangle Z61458K30BP	THERMAL CUTOUT	1	1027 BDQ/EYG (FOR OVEN)
40	\triangle Z61458K30GP	THERMAL CUTOUT	1	FOR MAGNETRON
42	\triangle ZNE6161-3X0	MICRO SWITCH	1	INTERLOCK MONITOR SWITCH
43	Z62025G10XN	DIODE, SI	1	
45	\triangle Z62304210BP	FUSE	1	10A
46	Z63064000AP	INSULATION SHEET R	1	1027 BDQ/EYG
47	\triangle Z65953700BP	FUSE B	1	2.5A
48	\triangle Z900CCE70BP	AC CORD W/PLUG (U)	1	BDQ
48	\triangle Z900CCE70EP	AC CORD W/PLUG (U)	1	EYG
49	Z692Y3710BP	NOISE FILTER (U)	1	1027 BDQ/EYG
49	Z692Y3700BP	NOISE FILTER (U)	1	1037 BDQ/EYG
50	ZTWFL4+12T	SCREW	4	FOR MAGNETRON
51	\triangle Z2M244-M6J1-VP	MAGNETRON	1	
52	ZYDFB4+EE12F	SCREW	1	FOR EARTH
53	ZH00078K40SBP	NAME PLATE	1	1027 BDQ
53	ZH00078K40SEU	NAME PLATE	1	1027 EYG
53	ZH00079J90SBP	NAME PLATE	1	1037 BDQ
53	ZH00079J90SEP	NAME PLATE	1	1037 EYG
54	ZTC4+12BC	SCREW	1	FOR CABINET BODY SIDE
55	ZTWAPL4+8S	SCREW	5	FOR CABINET BODY

Ref. No.	Part No.	Part Name & Description	Pcs/set	Remarks
57	Z00958K30BP	CAUTION LABEL B	1	BDQ
57	Z00958K30EU	CAUTION LABEL B	1	EYG
59	ZWNANE65GV	BRACKET	1	
60	Z66623170GP	EARTH BRACKET	1	
63	ZTWFA4+12LR	SCREW	2	FOR LOWER HINGE
64	ZYF6+F20FUJ	SCREW	1	
65	Z50968K30BP	FERRITE CORE	2	
66	ZH0922000CK	CUSHION RUBBER	1	
67	ZH0921000AQ	CUSHION RUBBER	1	
68	ZH0922000BF	CUSHION RUBBER	1	
69	ZH0962000CD	CUSHION RUBBER	1	1027 BDQ/EYG
70	Z0912000BC	CUSHION RUBBER	1	FOR BASE
71	ZH0922000EB	CUSHION RUBBER	1	FOR H.V.CAPACITOR



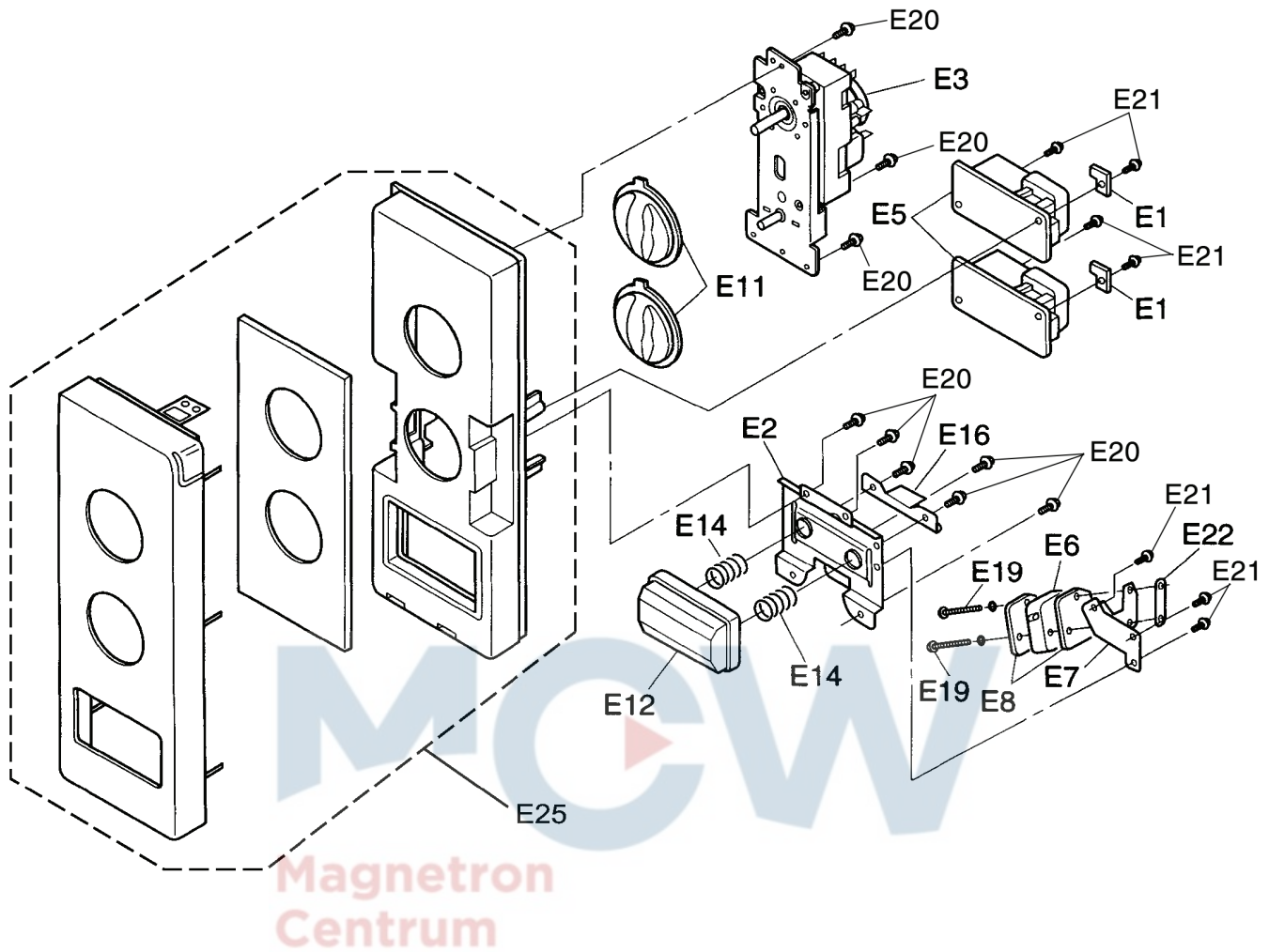
10.3. DOOR ASSEMBLY



Ref. No.		Part No.	Part Name & Description	Pcs/set	Remarks
D1	△	ZH302A3710SBP	DOOR A (U)	1	1027 BDQ/EYG (INCLUDING DOOR PANEL)
D1	△	ZH302A9J90BP	DOOR A (U)	1	1037 BDQ/EYG (INCLUDING DOOR PANEL)
D2		Z30063700BP	UPPER HINGE	1	
D3	△	Z302K3700BP	DOOR E (U)	1	
D4		ZF3018-CE50	DOOR KEY A	1	
D5		ZH30214000AP	DOOR KEY SPRING	1	
D7	△	ZH30858960HN	DOOR C	1	
D9		Z31453700BP	DOOR SCREEN A	1	
D11		ZH32863700AP	HANDLE SPACER	1	
D12		ZTN3+8BJ	SCREW	2	
D13		ZTN4+10RDN	SCREW	4	
D14		ZTN4+16Q	SCREW	2	
D15		ZTCAFL4+12AFS	SCREW	2	1037 BDQ/EYG
D16		Z301F6P00AP	HANDLE (U)	1	1027 BDQ/EYG
D16		ZH301F9J90KBP	HANDLE (U)	1	1037 BDQ/EYG

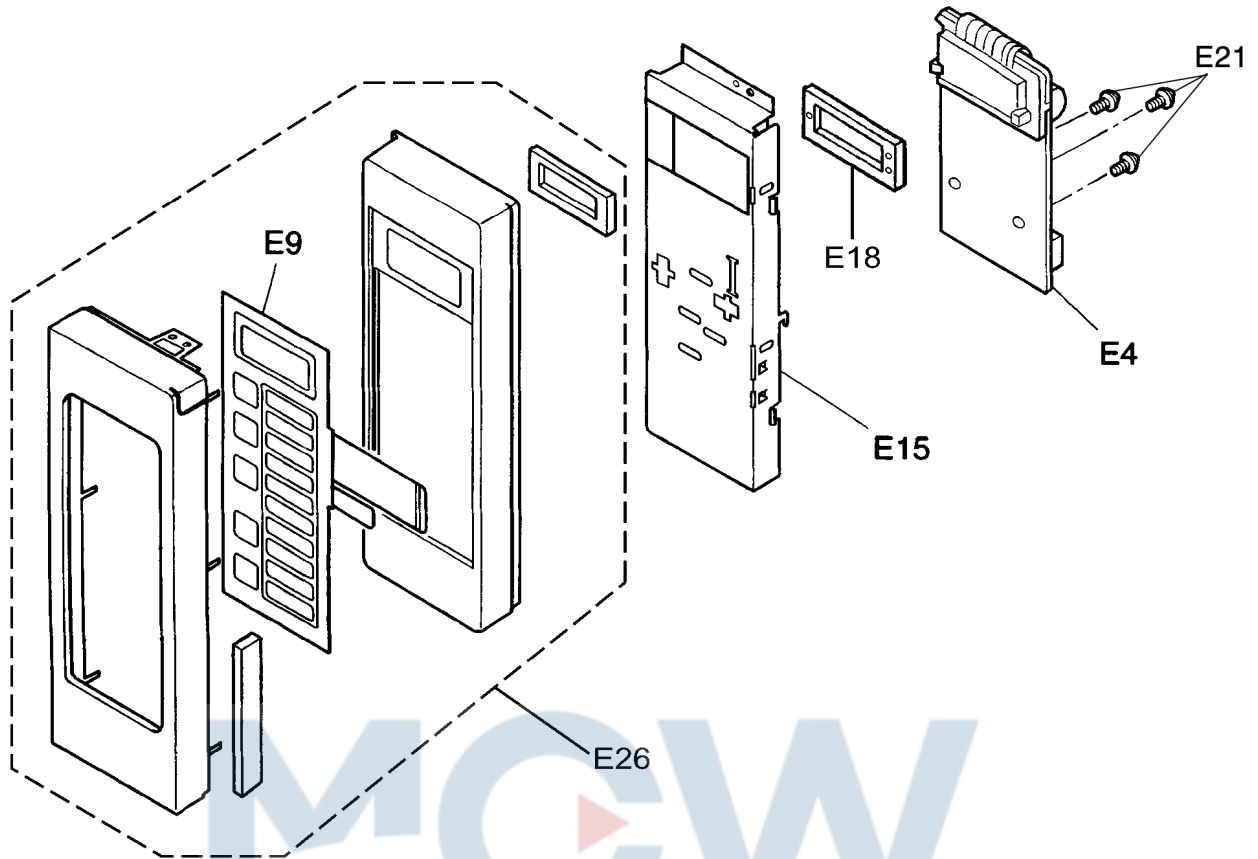
10.4. ESCUTCHEON BASE ASSEMBLY

10.4.1. NE-1027



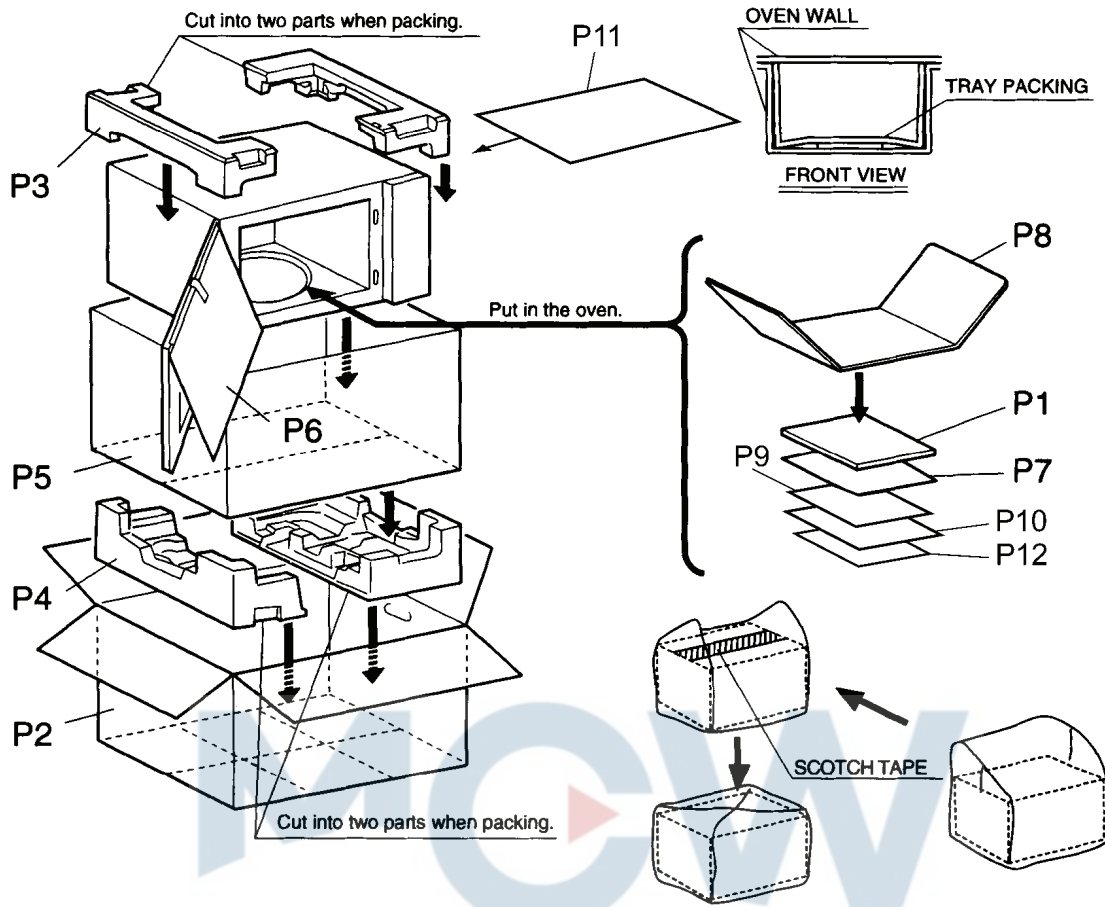
Ref. No.	Part No.	Part Name & Description	Pcs/set	Remarks
E1	ZH62383710BP	SPACER	2	1027 BDQ/EYG
E2	ZH600X8K40BP	START SWITCH BRACKET	1	1027 BDQ/EYG
E3	Z60018K40BP	TIMER	1	1027 BDQ/EYG
E5	Z606X3710BP	INRUSH REDUCING CIRCUIT	2	1027 BDQ/EYG (INCLUDING POWER RELAY (RY1))
E6	Z6142-1450	MICRO SWITCH	1	1027 BDQ/EYG
E7	ZH61623710BP	START SWITCH BRACKET	1	1027 BDQ/EYG
E8	ZNE6306910AP	INSULATION SHEET R	2	1027 BDQ/EYG
E11	ZH80203710BP	TIMER KNOB	2	1027 BDQ/EYG
E12	ZH8024P00RN	COOK BUTTON	1	1027 BDQ/EYG
E14	ZH8037P00RN	COOK BUTTON SPRING	2	1027 BDQ/EYG
E16	ZH81903710BP	COOK LEVER	1	1027 BDQ/EYG
E19	ZTN3+F16S	SCREW	1	1027 BDQ/EYG
E20	ZTWBFE4+8D	SCREW	9	1027 BDQ/EYG
E21	ZTWHNE3+8Q	SCREW	7	1027 BDQ/EYG
E22	ZH6633P60AP	SPACER B	1	1027 BDQ/EYG
E25	ZH800L8K40BP	ESCUTCHEON BASE (U)	1	1027 BDQ/EYG

10.4.2. NE-1037



Ref. No.	Part No.	Part Name & Description	Pcs/set	Remarks
E4	Z603L9J90BZ	D.P.CIRCUIT (U)	1	1037 BDQ/EYG (INCLUDING POWER RELAY (RY1))
E9	Z630Y8K30BP	MEMBRANE SWITCH (U)	1	1037 BDQ/EYG
E15	ZH81273700AP	BACK PANEL	1	1037 BDQ/EYG
E18	Z83428K30BP	CUSHION RUBBER B	1	1037 BDQ/EYG
E21	ZTWHNE3+8Q	SCREW	3	1037 BDQ/EYG
E26	ZH800L8K30BP	ESCUTCHEON BASE (U)	1	1037 BDQ/EYG

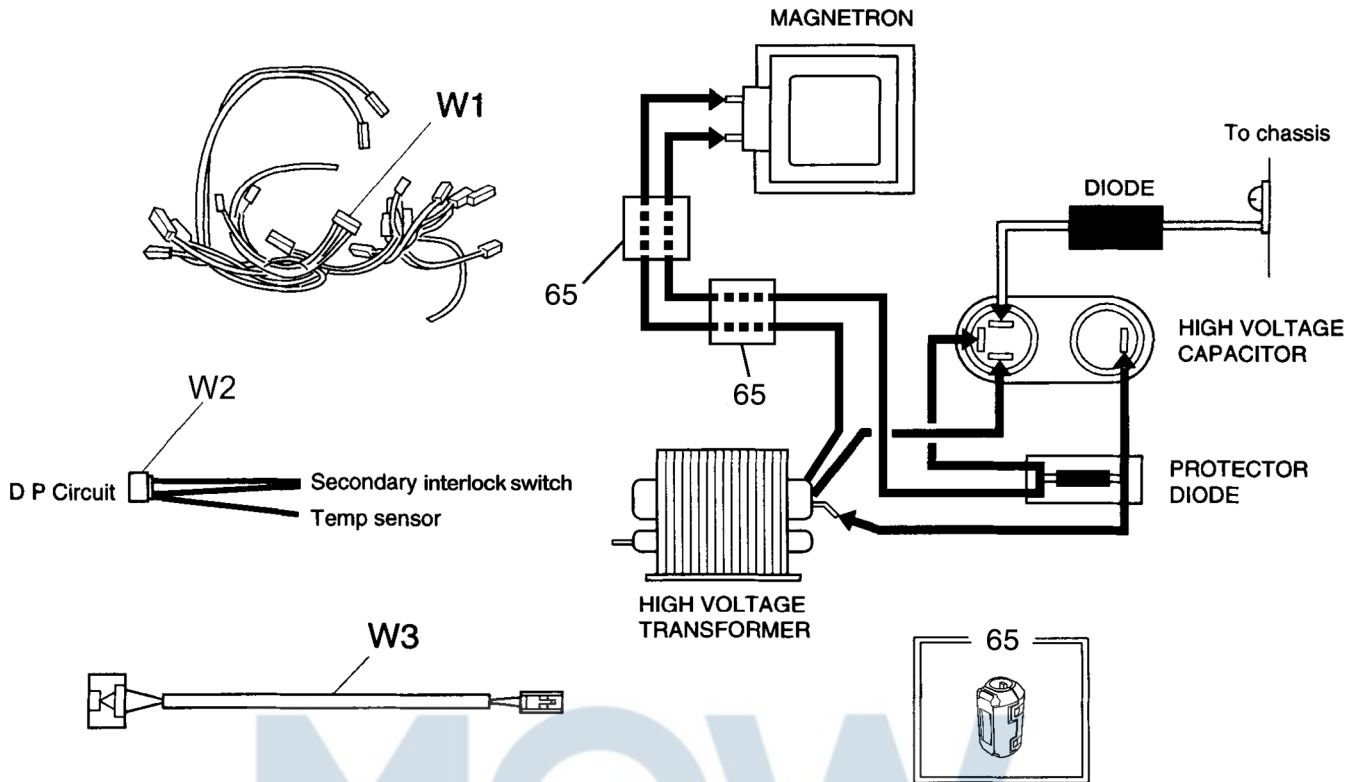
10.5. PACKING AND ACCESSORIES



Magnetron

Ref. No.	Part No.	Part Name & Description	Pcs/set	Remarks
P1	ZH00033700BP	INSTRUCTION BOOK	1	1027 BDQ
P1	ZH00033700EU	INSTRUCTION BOOK	1	1027 EYG
P1	ZH00039J90BP	INSTRUCTION BOOK	1	1037 BDQ
P1	ZH00039J90EP	INSTRUCTION BOOK	1	1037 EYG
P2	ZH01028K40SBP	PACKING CASE, PAPER	1	1027 BDQ
P2	ZH01028K40SEU	PACKING CASE, PAPER	1	1027 EYG
P2	ZH01029J90SBP	PACKING CASE, PAPER	1	1037 BDQ
P2	ZH01029J90SEP	PACKING CASE, PAPER	1	1037 EYG
P3	ZH01048K30BP	UPPER FILLER	1	
P4	ZH01058K30BP	LOWER FILLER	1	
P5	ZH01068K00AP	VINYL COVER	1	
P6	ZH01074W00AP	DOOR SHEET	1	
P8	ZH01088K30BP	TRAY PACKING	1	
P9	ZH01568K30BP	CAUTION	1	BDQ
P10	Z01728K30BP	CAUTION LABEL	1	BDQ
P10	ZH01728K30EU	CAUTION LABEL	1	EYG
P11	ZH01924T00AP	SHEET	1	
P12	ZH02848K40BP	NO. LABEL	1	BDQ

10.6. WIRING MATERIALS



Ref. No.	Part No.	Part Name & Description	Pcs/set	Remarks
W1	ZF030ABS90EP	LEAD WIRE HARNESS	1	1027 BDQ/EYG
W1	ZF030ACE70BP	LEAD WIRE HARNESS	1	1037 BDQ/EYG
W2	ZF030F9J90BP	TEMP SENSOR W/LEAD WIRE (U)	1	1037 BDQ/EYG (INCLUDING OVEN TEMP SENSOR)
W3	Z03558K30BP	LEAD WIRE	1	1027 BDQ/EYG
65	Z50968K30BP	FERRITE CORE	2	