

# SHARP PARTS LIST

## COMMERCIAL MICROWAVE OVEN

## MODELS R-1500AT R-2100AT

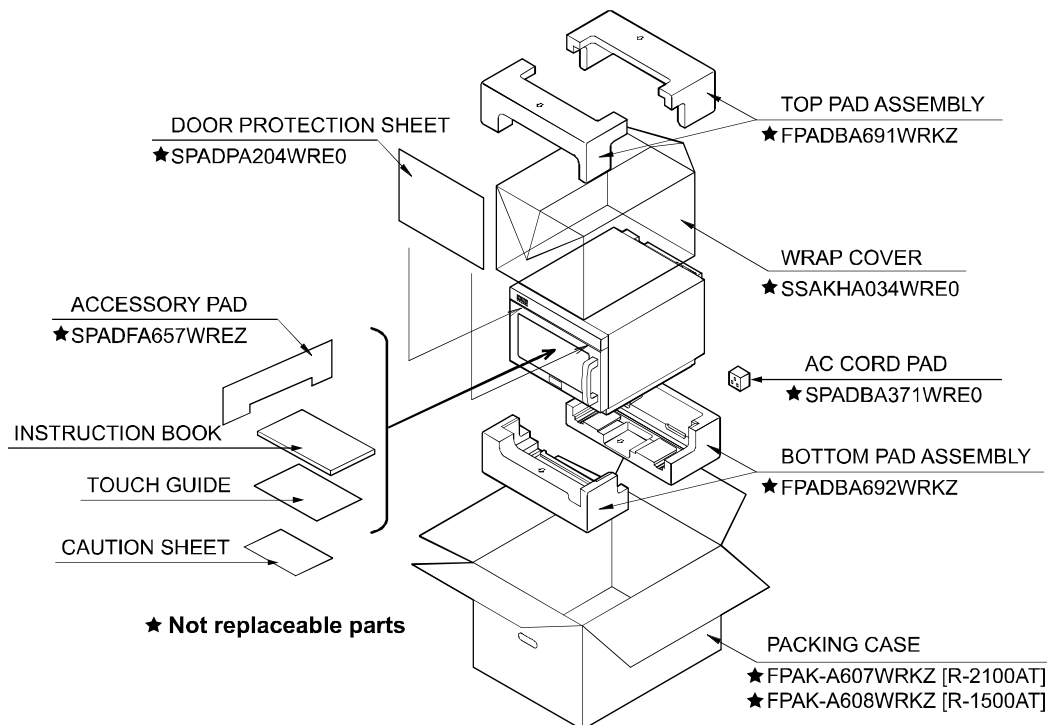
HOW TO ORDER REPLACEMENT PARTS  
To have your order filled promptly and correctly, please furnish the following information.

1. MODEL NUMBER
2. REF. NO.
3. PART NO.
4. DESCRIPTION

Parts marked "\*" may cause undue microwave exposure.  
Parts marked "▲" are used in voltage more than 250V.

### CONTENTS

- |                            |       |
|----------------------------|-------|
| [1] OVEN PARTS             | PARTS |
| [2] DOOR AND CONTROL PANEL | INDEX |

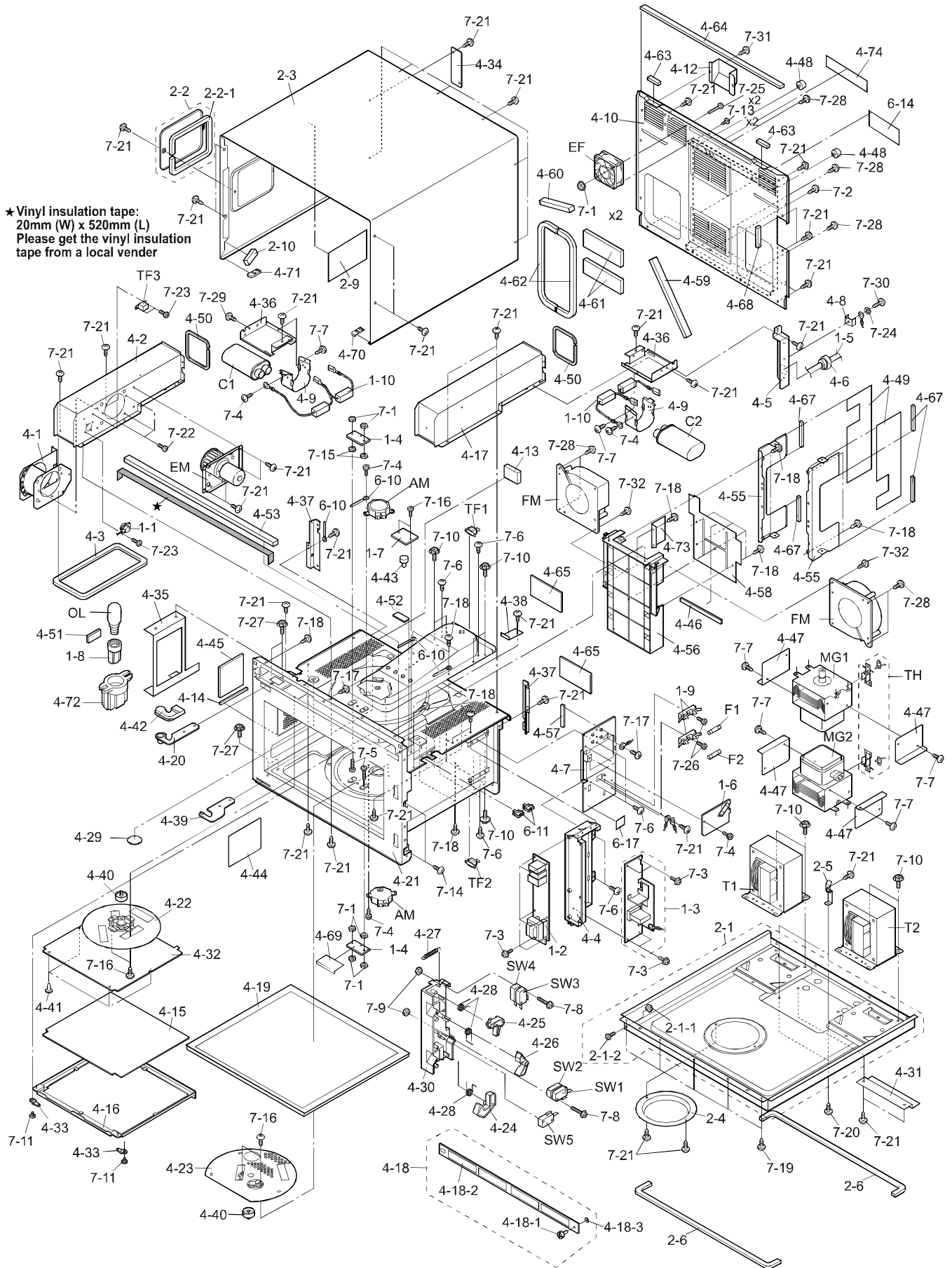


SHARP CORPORATION

This document has been published to be used for after sales service only.  
The contents are subject to change without notice.

[1] OVEN PARTS

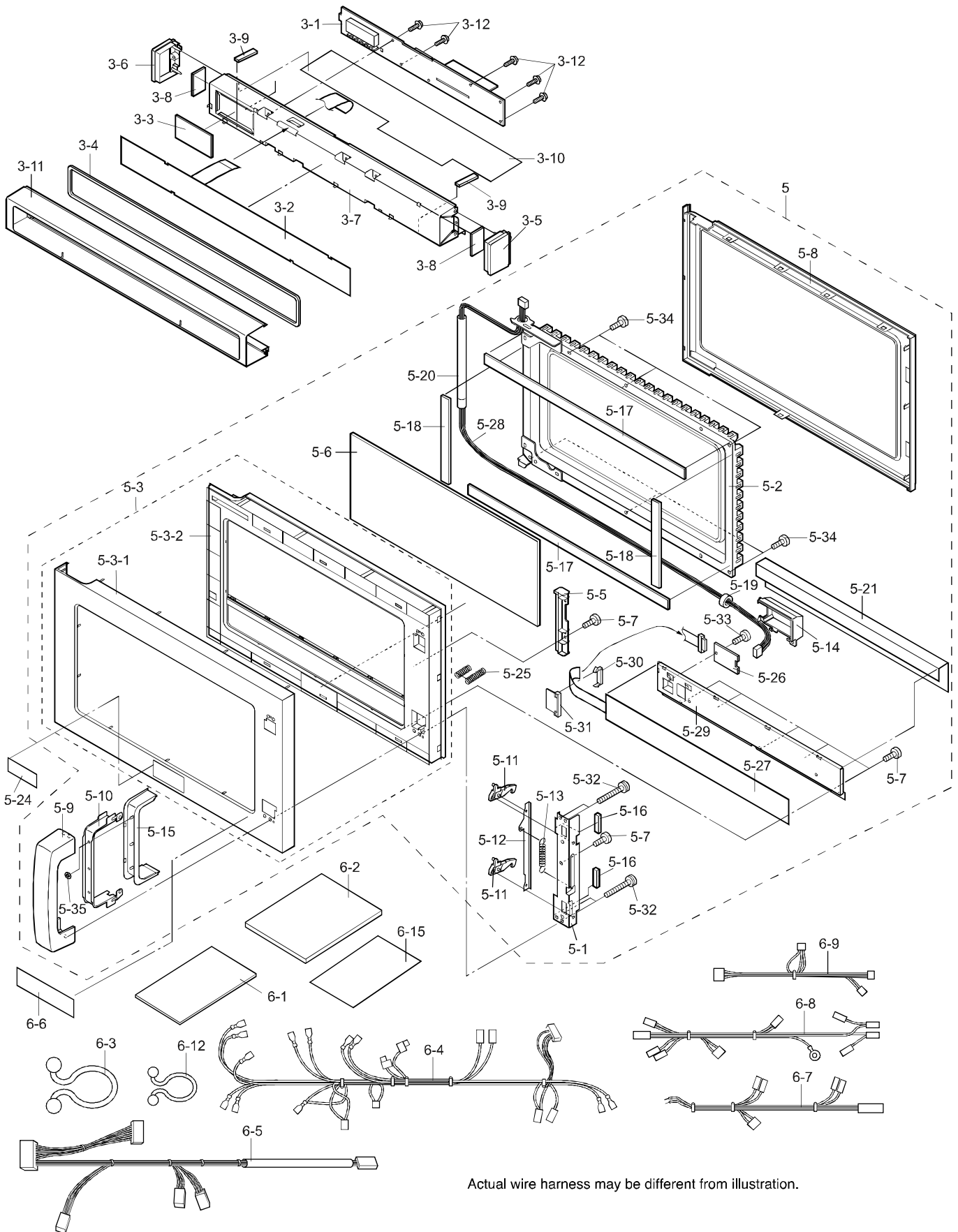
★ Vinyl insulation tape:  
20mm (W) x 520mm (L)  
Please get the vinyl insulation  
tape from a local vender



NO.	PARTS CODE	PRICE RANK	NEW MARK	PART RANK	DESCRIPTION
<b>[1] OVEN PARTS</b>					
<b>ELECTRIC PARTS</b>					
1-1	FDTCTA239WRKZ	AV			Sensor assembly (Exhaust thermistor)
1-2	DPWB- A568DRKZ	BH			Relay Unit
1-3	DPWB- A565DRKZ	BF			Power Unit (Switching Power Supply Unit)
1-4	DPWB- A571DRKZ	BA			Sensing SW (Antenna sensor)
1-5	FACCVAO19WRKZ	BF			Power Supply Cord
1-6	FPWBFA445WRKZ	AS			Noise Filter
1-7	DPWB- A570DRKZ	BA			Sensor assembly (Microwave Sensor)
1-8	QSOCLA024WREO	AH			Oven Lamp Socket
1-9	QFSDAO19WREO	AH			Fuse Holder
△ 1-10	FH- DZA145WRZZ	AP			High Voltage Rectifier assembly
△ AM	RMOTDA238WRZZ	AS			Antenna Motor
△ C1	RC- OZA315WRZZ	AZ			High Voltage Capacitor [R-2100AT]
△ C1	RC- OZA363WRZZ	AS			High Voltage Capacitor [R-1500AT]
△ C2	RC- OZA315WRZZ	AZ			High Voltage Capacitor [R-2100AT]
△ C2	RC- OZA363WRZZ	AS			High Voltage Capacitor [R-1500AT]
EF	RMOT- AO37WRZZ	BF			Exhaust Fan Motor (DC24V)
EM	FMOT- AO31WRKZ	BP			Exhaust Motor assembly (DC24V)
F1	QFS- CAO24WREO	AH			Fuse F8A
F2	QFS- CAO24WREO	AH			Fuse F8A
FM	RMOT- AO36WRZZ	BD			Fan Motor (DC24V)
△ MG1	RV- MZA369WRZZ	BG			Magnetron
△ MG2	RV- MZA369WRZZ	BG			Magnetron
OL	RLMPTAO78WREO	AL			Oven Lamp
SW1	OSW- MA087WREO	AF			Secondary Interlock Switch (1)
SW2	OSW- MA085WREO	AF			Secondary Interlock Switches (2)
SW5	OSW- MA085WREO	AF			Door Sensing Switches
SW3	OSW- MA086WREO	AF			Monitor Switch
SW4	OSW- MA086WREO	AF			Monitor Switch
△ T1	RTRN- A788WRZZ	BU			Power Transformer
△ T2	RTRN- A788WRZZ	BU			Power Transformer
TF1	QFS- TAO14WREO	AG			Magnetron Temp. Fuse 150C
TF2	QFS- TAO14WREO	AG			Magnetron Temp. Fuse 150C
TF3	QFS- TAO15WREO	AG			DM 120V Fuse (Oven Temp. Fuse)
TH	DH- HZA017WRKZ	AY			Thermistor assembly (Magnetron thermistor)
<b>CABINET PARTS</b>					
2-1	DDAI - A217WRKZ	BP			Bottom plate assembly
2-1-1	LX- NZ0061WREO	AA			Special Nut
2-1-2	LX- BZA179WREZ	AL			Special screw (Filter Stopper L)
2-2	FFTASAO76WRYZ	AM			Oven Lamp Access Cover
2-2-1	PCUSUA651WRPZ	AD			Cushion
2-3	GCABUB125WRPZ	BN			Outer Case Cabinet
2-4	GCOVHA526WRPZ	AH			Motor Protect Cover
2-5	LANGKB285WRPZ	AG			Cavity Fixing Plate
2-6	PSHEGAO11WREZ	AM			Rubber Sheet L
2-9	PFPF - A299WREZ	AL			Damper Sheet
2-10	PCUSGA756WRPZ	AD			Cabinet Cushion
<b>OVEN PARTS</b>					
4-1	FCAS- AO26WRYZ	AR			Fan Case assembly
4-2	DDUC- AO71WRKZ	AV			Exhaust Duct assembly
4-3	PCUSGA721WRPZ	AG			Cushion
4-4	LHLD- A314WRFZ	AN			PWB Holder
4-5	LANGOA755WRWZ	AM			AC Cord Angle
4-6	LBSHC0006YBEO	AD			Cord Bushing
4-7	LANGOA738WRWZ	AL			Noise Filter Angle
4-8	LANGOA556WRMZ	AL			Earth Angle
4-9	LBNDKA182WRPZ	AK			Hv Capacitor Band
4-10	FCOVAAO93WRYZ	BB			Rear Cover assembly [R-1500AT]
4-10	FCOVAAO97WRYZ	BB			Rear Cover assembly [R-2100AT]
4-12	PGI DHA069WRPZ	AF			Exhaust Cover
4-13	PCUSGA740WRPZ	AE			Bottom Cushion B
4-14	PCUSGA768WRPZ	AC			Lamp Cushion
4-15	GCOVPA026WRPZ	BH			Cover
4-16	PCOVPA515WRFZ	AY			Frame
4-17	DDUC- AO72WRKZ	AV			Intake Duct assembly
4-18	FFI L- AO14WRKZ	BA			Air Filter Unit
4-18-1	LX- BZA178WREZ	AM			Filter Stopper R
4-18-2	PFI L- AO40WRYZ	AW			Air Filter
4-18-3	XREUW40- O6000	AA			Ring
4-19	FGLSPA069WRFZ	BT			Oven Tray assembly
4-20	FHNG- A370WRYZ	AT			Upper Hinge assembly
4-21	FOVN- A602WRWZ	BX			Cavity assembly
4-22	FPLT- AO25WRYZ	AZ			Upper Antenna assembly
4-23	FPLT- AO26WRYZ	BA			Lower Antenna assembly
4-24	MLEVCA001WRFZ	AG			Switch Lever C
4-25	MLEVPA279WRFZ	AG			Switch Lever A
4-26	MLEVPA280WRFZ	AG			Switch Lever B
4-27	MSPRCA165WREZ	AC			Latch Spring A
4-28	MSPRCA166WREZ	AC			Latch Spring B
4-29	PSHEPB353WREZ	AH			Sus Sheet
4-30	PHOK- A164WRFZ	AM			Latch Hook
4-31	GCOVHA527WRPZ	AG			Bottom Cover

NO.	PARTS CODE	PRICE RANK	NEW MARK	PART RANK	DESCRIPTION
<b>[1] OVEN PARTS</b>					
4-32	GCOVPA027WRPZ	AN			Antenna Cover
4-33	JKNBKAB00WRFZ	AM			Antenna Cover Knob
4-34	LANGKB292WRPZ	AM			Support Angle
4-35	FANGOAT180WRYZ	AS			Lamp Angle assembly
4-36	LANGQA752WRPZ	AF			Capacitor Unit Angle
4-37	LANGQA702WRPZ	AM			Motor Fixing Angle
4-38	LSUB- A137WRPZ	AE			Face Support Angle
4-39	MHNG- A592WRPZ	AP			Lower Hinge
4-40	NSFTPA045WRFZ	AN			Stirrer Shaft
4-41	PCLI COO18WREO	AB			Clip L
4-42	PCOVPA480WRFZ	AG			Hinge Cover
4-43	PCOVPA496WRFZ	AK			Sensor Cover
4-44	PFI LWAO64WRPZ	AF			Lamp Filter
4-45	PGLSPA720WREZ	AH			Lamp Glass
4-46	PCUSGA761WRPZ	AE			Fan Duct Cushion
4-47	PSKR- A462WRPZ	AF			Partition Angle S
4-48	GLEGPA033WREO	AA			Leg
4-49	GCOVPA022WRPZ	AG			Partition Cover
4-50	PCUSGA745WRPZ	AD			Cushion B
4-51	PCUSGA750WRPZ	AC			Lamp Cushion
4-52	PCUSGA751WRPZ	AC			Cavity Top Cushion
4-53	PCUSGA752WRPZ	AD			Cavity Face Cushion
4-55	PSKR- A464WRPZ	AK			Partition Angle L
4-56	PDUC- B056WRFZ	AN			Mg Cool Duct A
4-57	PCUSGA757WRPZ	AF			Filter Cushion
4-58	PDUC- B046WRFZ	AK			Mg Cool Duct B
4-59	PCUSGA742WRPZ	AF			Rear Cushion A
4-60	PCUSGA743WRPZ	AF			Rear Cushion B
4-61	PCUSGA744WRPZ	AF			Rear Cushion C
4-62	PCUSGA746WRPZ	AG			Rear Cushion D
4-63	PCUSGA747WRPZ	AD			Rear Cushion E
4-64	PCUSGA748WRPZ	AF			Rear Cushion F
4-65	PCUSGA758WRPZ	AN			Cavity Back Sheet
4-67	PCUSGA766WRPZ	AC			Magnetron Cushion
4-68	PCUSGA767WRPZ	AC			Rear Cushion G
4-69	PSHEPB323WREZ	AF			Insertion Barrer
4-70	PCOVPA523WRFZ	AF			Edge Protect Cap R
4-71	PCOVPA522WRFZ	AF			Edge Protect Cap L
4-72	PSPASAO27WRFZ	AF			Lamp Spacer
4-73	PSKR- A500WRPZ	AK			Wind plate
4-74	PSHEPB455WREZ	AF			Water protect film
<b>MISCELLANEOUS</b>					
6-10	LBNDKA166WREZ	AD			Wire Holder
6-11	LHLDWA063WREZ	AF			Wire Holder
6-14	TCAUHA168WRR0	AH			H caution label
6-17	TLABSA105WRRZ	AF			F8 Fuse Label
<b>SCREWS, NUTS AND WASHE</b>					
7-1	LX- NZO061WREO	AA			Special Nut
7-2	LX- BZA199WREZ	AE			Special Screw
7-3	XEPS730P08XS0	AB			Screw: 3mm x 8mm
7-4	XHPS740P08K00	AB			Screw: 4mm x 8mm
7-5	XBTUW40P12000	AB			Screw: 4mm x 12mm
7-6	XOTS740P08000	AA			Screw: 4mm x 8mm
7-7	XHTS740P08000	AC			Screw: 4mm x 8mm
7-8	XBPS730P28KSO	AB			Screw: 3mm x 28mm
7-9	XNES730- 24000	AE			Nut
7-10	LX- BZA164WREZ	AC			Special Screw
7-11	LX- BZA181WREZ	AH			Special Screw
7-13	XHPS730P06000	AB			Screw: 3mm x 6mm
7-14	LX- CZO052WREO	AA			Special Screw
7-15	XNGUW40- 24000	AE			Nut
7-16	LX- BZA132WREZ	AB			Special Screw
7-17	LX- BZA138WREZ	AB			Special Screw
7-18	XETS740P10000	AA			Screw: 4mm x 10mm
7-19	LX- CZA085WREZ	AB			Special Screw
7-20	XHTWW40P08000	AC			Screw: 4mm x 8mm
7-21	XOTWW40P08000	AB			Screw: 4mm x 8mm
7-22	XFPWW30P06000	AD			Screw: 3mm x 6mm
7-23	XCBWW30P08000	AB			Screw: 3mm x 8mm
7-24	LX- WZA035WREO	AB			Special Washer
7-25	XBPS740P35000	AD			Screw: 4mm x 35mm
7-26	XCPS730P10000	AA			Screw: 3mm x 10mm
7-27	LX- BZA169WREZ	AC			Special Screw
7-28	XOTWW40P10000	AA			Screw: 4mm x 10mm
7-29	XCHWW40P08000	AB			Screw: 4mm x 8mm
7-30	XHTS740P12RVO	AC			Screw: 4mm x 12mm
7-31	XTPWW40P08000	AD			Screw: 4mm x 8mm
7-32	XETS740P12000	AC			Screw: 4mm x 12mm

## [2] DOOR AND CONTROL PANEL PARTS



Actual wire harness may be different from illustration.



NO.	PARTS CODE	PRICE RANK	NEW MARK	PART RANK	DESCRIPTION
<b>[2] DOOR AND CONTROL PANEL PARTS</b>					
<b>CONTROL PANEL PARTS</b>					
3-1	DPWB- A763DRKZ	BR			Control Unit [R2100AT]
3-1	DPWB- A765DRKZ	BR			Control Unit [R1500AT]
3-2	FUNT KB195WREZ	AV			Key Unit
3-3	GMADI A189WRFZ	AL			Display Window
3-4	GWAKPB142WRFZ	AK			Panel Grill
3-5	HDECOA372WRMZ	AL			Panel Cap R
3-6	HDECOA373WRMZ	AL			Panel Cap L
3-7	LANGQA676WRWZ	AP			Panel Fixed Plate
3-8	PCUSGA753WRPZ	AF			Cp Cushion A
3-9	PCUSGA754WRPZ	AC			Cp Cushion B
3-10	PSHEPB332WREZ	AN			CPU Protect Sheet
3-11	GCOVAA389WRPZ	AR			C/P Case
3-12	XCPS730P08XS0	AC			Screw
<b>DOOR PARTS</b>					
5	CDORFB149WRKZ	BY			Door assembly
5-1	FANGKA225WRYZ	AN			Latch Angle assembly
5-2	FDORFA436WRYZ	BB			Door Panel Sub assembly
5-3	FCOV- A018WRKZ	BE			Door Case assembly
5-3-1	GCOVAA392WRYZ	BA			Door Case
5-3-2	GWAK- A012WRFZ	AX			Door Frame
5-5	LSTPPA261WRFZ	AG			Glass Stopper
5-6	PGLSPA767WREZ	AN			Front Door Glass
5-7	XEPS740P08000	AB			Screw: 4mm x 8mm
5-8	GCOVHA525WRFZ	AS			Choke Cover
5-9	JHNDMA058WRMZ	BD			Door Handle
5-10	JHNDMA062WRPZ	AK			Handle Lever
5-11	LSTPPA288WRMZ	AP			Latch Head
5-12	MLEVFA091WRWZ	AG			Latch Lever
5-13	MSPRTA190WREO	AD			Latch Spring
5-14	PCOVPA476WRFZ	AG			Board Cover
5-15	PCOVPA477WRFZ	AM			Handle Cover
5-16	PCUSGA720WRPZ	AG			Latch Angle Cushion
5-17	PCUSGA736WRPZ	AE			Door Cushion L
5-18	PCUSGA737WRPZ	AF			Door Cushion R
5-19	PCUSGA738WRPZ	AC			Harness Cushion
5-20	PPI PPA017WRFZ	AF			Pipe
5-21	PSHEPB325WREZ	AK			Key Protect Cover
5-24	HBDGCA135WRRZ	AG			Door Badge [R-2100AT]
5-24	HBDGCA136WRRZ	AG			Door Badge [R-1500AT]
5-25	MSPRCA174WREZ	AF			Earth Spring
5-26	DPWB- A569DRKZ	BA			Switch Unit
5-27	FUNT KB197WREZ	AV			Key Unit
5-28	FW- VZC153WREZ	AS			Door Key harness
5-29	LANGTA440WRPZ	AN			Key Fixing Plate
5-30	LRTNPA001DRZZ	AF			Connector
5-31	LRTNPA002DRZZ	AF			Connector
5-32	XBPS740P25K00	AC			Screw: 4mm x 25mm
5-33	XCPS730P08XS0	AC			Screw: 3mm x 8mm
5-34	XEPS740P10000	AA			Screw: 4mm x 10mm
5-35	LX- RZ180AKREO	AA			Special Ring
<b>MISCELLANEOUS</b>					
6-1	TCADRA036WRRZ	AG			Key-Gaidance (Touch Guide)
6-2	TI NSMAO29WRRZ	AN			Inst Book (Operation Manual)
6-3	LHLDWA013WREO	AC			Purse Lock LL
6-4	FW- VZC228WREZ	AZ			Main Harness
6-5	FW- VZC160WREZ	AZ			CPU Harness
6-6	TCAUAA249WRRO	AE			Caution Label
6-7	FW- VZC203WREZ	AZ			Oven harness
6-8	FW- VZC168WREZ	AS			DC harness
6-9	FW- VZC157WREZ	AR			Sensor harness
6-12	LHLDWA011WREO	AB			Purse Lock M
6-15	TCAUHA276WRRZ	AH			Caution Sheet

# INDEX

PARTS CODE	No.	PRICE RANK	NEW MARK	PART RANK
<b>【 C 】</b>				
CDORFB149WRKZ	2-5	BY		
<b>【 D 】</b>				
DDAI - A217WRKZ	1-2-1	BP		
DDUC - A071WRKZ	1-4-2	AV		
DDUC - A072WRKZ	1-4-17	AV		
DH - HZA017WRKZ	1-TH	AY		
DPWB - A565DRKZ	1-1-3	BF		
DPWB - A568DRKZ	1-1-2	BH		
DPWB - A569DRKZ	2-5-26	BA		
DPWB - A570DRKZ	1-1-7	BA		
DPWB - A571DRKZ	1-1-4	BA		
DPWB - A763DRKZ	2-3-1	BR		
DPWB - A765DRKZ	2-3-1	BR		
<b>【 F 】</b>				
FACCVAO19WRKZ	1-1-5	BF		
FANGKA225WRYZ	2-5-1	AN		
FANGO180WRYZ	1-4-35	AS		
FCAS - A026WRYZ	1-4-1	AR		
FCOV - A018WRKZ	2-5-3	BE		
FCOVAA093WRYZ	1-4-10	BB		
FCOVAA097WRYZ	1-4-10	BB		
FDORFA436WRYZ	2-5-2	BB		
FDTCTA239WRKZ	1-1-1	AV		
FFI L - A014WRKZ	1-4-18	BA		
FFTASAO76WRYZ	1-2-2	AM		
FGLSPA069WRFZ	1-4-19	BT		
FH - DZA145WRZZ	1-1-10	AP		
FHNG - A370WRYZ	1-4-20	AT		
FMOT - A031WRKZ	1-EM	BP		
FOVN - A602WRWZ	1-4-21	BX		
FPLT - A025WRYZ	1-4-22	AZ		
FPLT - A026WRYZ	1-4-23	BA		
FPWBFA445WRKZ	1-1-6	AS		
FUNTKB195WREZ	2-3-2	AV		
FUNTKB197WREZ	2-5-27	AV		
FW - VZC153WREZ	2-5-28	AS		
FW - VZC157WREZ	2-6-9	AR		
FW - VZC160WREZ	2-6-5	AZ		
FW - VZC168WREZ	2-6-8	AS		
FW - VZC203WREZ	2-6-7	AZ		
FW - VZC228WREZ	2-6-4	AZ		
<b>【 G 】</b>				
GCABUB125WRPZ	1-2-3	BN		
GCOVAA389WRPZ	2-3-11	AR		
GCOVAA392WRYZ	2-5-3-1	BA		
GCOVHA525WRFZ	2-5-8	AS		
GCOVHA526WRPZ	1-2-4	AH		
GCOVHA527WRPZ	1-4-31	AG		
GCOVPA022WRPZ	1-4-49	AG		
GCOVPA026WRPZ	1-4-15	BH		
GCOVPA027WRPZ	1-4-32	AN		
GLEGPA033WREO	1-4-48	AA		
GMADI A189WRFZ	2-3-3	AL		
GWAK - A012WRFZ	2-5-3-2	AX		
GWAKPB142WRFZ	2-3-4	AK		
<b>【 H 】</b>				
HBDGCA135WRRZ	2-5-24	AG		
HBDGCA136WRRZ	2-5-24	AG		
HDECOA372WRMZ	2-3-5	AL		
HDECOA373WRMZ	2-3-6	AL		
<b>【 J 】</b>				
JHNDMAO58WRMZ	2-5-9	BD		
JHNDMAO62WRPZ	2-5-10	AK		
JKNBKA800WRFZ	1-4-33	AM		
<b>【 L 】</b>				
LANGKB285WRPZ	1-2-5	AG		
LANGKB292WRPZ	1-4-34	AM		
LANGQA556WRMZ	1-4-8	AL		
LANGQA676WRWZ	2-3-7	AP		
LANGQA702WRPZ	1-4-37	AM		
LANGQA738WRWZ	1-4-7	AL		
LANGQA752WRPZ	1-4-36	AF		
LANGQA755WRWZ	1-4-5	AM		
LANGTA440WRPZ	2-5-29	AN		
LBNDKA166WREZ	1-6-10	AD		
LBNDKA182WRPZ	1-4-9	AK		
LBSHCO006YBEO	1-4-6	AD		
LHLD - A314WRFZ	1-4-4	AN		

PARTS CODE	No.	PRICE RANK	NEW MARK	PART RANK
LHLDWAO11WREO	2-6-12	AB		
LHLDWAO13WREO	2-6-3	AC		
LHLDWAO63WREZ	1-6-11	AF		
LRTNPAO01DRZZ	2-5-30	AF		
LRTNPAO02DRZZ	2-5-31	AF		
LSTPPA261WRFZ	2-5-5	AG		
LSTPPA288WRMZ	2-5-11	AP		
LSUB - A137WRPZ	1-4-38	AE		
LX - BZA132WREZ	1-7-16	AB		
LX - BZA138WREZ	1-7-17	AB		
LX - BZA164WREZ	1-7-10	AC		
LX - BZA169WREZ	1-7-27	AC		
LX - BZA178WREZ	1-4-18-1	AM		
LX - BZA179WREZ	1-2-1-2	AL		
LX - BZA181WREZ	1-7-11	AH		
LX - BZA199WREZ	1-7-2	AE		
LX - CZ0052WREO	1-7-14	AA		
LX - CZA085WREZ	1-7-19	AB		
LX - NZ0061WREO	1-7-1	AA		
	1-2-1-1	AA		
LX - RZ180AKREO	2-5-35	AA		
LX - WZA035WREO	1-7-24	AB		
<b>【 M 】</b>				
MHNG - A592WRPZ	1-4-39	AP		
MLEVCA001WRFZ	1-4-24	AG		
MLEVFA091WRWZ	2-5-12	AG		
MLEVPA279WRFZ	1-4-25	AG		
MLEVPA280WRFZ	1-4-26	AG		
MSPRCA165WREZ	1-4-27	AC		
MSPRCA166WREZ	1-4-28	AC		
MSPRCA174WREZ	2-5-25	AF		
MSPRTA190WREO	2-5-13	AD		
<b>【 N 】</b>				
NSFTPA045WRFZ	1-4-40	AN		
<b>【 P 】</b>				
PCLI CO018WREO	1-4-41	AB		
PCOVPA476WRFZ	2-5-14	AG		
PCOVPA477WRFZ	2-5-15	AM		
PCOVPA480WRFZ	1-4-42	AG		
PCOVPA496WRFZ	1-4-43	AK		
PCOVPA515WRFZ	1-4-16	AY		
PCOVPA522WRFZ	1-4-71	AF		
PCOVPA523WRFZ	1-4-70	AF		
PCUSGA720WRPZ	2-5-16	AG		
PCUSGA721WRPZ	1-4-3	AG		
PCUSGA736WRPZ	2-5-17	AE		
PCUSGA737WRPZ	2-5-18	AF		
PCUSGA738WRPZ	2-5-19	AC		
PCUSGA740WRPZ	1-4-13	AE		
PCUSGA742WRPZ	1-4-59	AF		
PCUSGA743WRPZ	1-4-60	AF		
PCUSGA744WRPZ	1-4-61	AF		
PCUSGA745WRPZ	1-4-50	AD		
PCUSGA746WRPZ	1-4-62	AG		
PCUSGA747WRPZ	1-4-63	AD		
PCUSGA748WRPZ	1-4-64	AF		
PCUSGA750WRPZ	1-4-51	AC		
PCUSGA751WRPZ	1-4-52	AC		
PCUSGA752WRPZ	1-4-53	AD		
PCUSGA753WRPZ	2-3-8	AF		
PCUSGA754WRPZ	2-3-9	AC		
PCUSGA756WRPZ	1-2-10	AD		
PCUSGA757WRPZ	1-4-57	AF		
PCUSGA758WRPZ	1-4-65	AN		
PCUSGA761WRPZ	1-4-46	AE		
PCUSGA766WRPZ	1-4-67	AC		
PCUSGA767WRPZ	1-4-68	AC		
PCUSGA768WRPZ	1-4-14	AC		
PCUSUA651WRPZ	1-2-2-1	AD		
PDUC - B046WRPZ	1-4-58	AK		
PDUC - B056WRFZ	1-4-56	AN		
PFI L - A040WRYZ	1-4-18-2	AW		
PFI LWAO64WRPZ	1-4-44	AF		
PFPF - A299WREZ	1-2-9	AL		
PGI DHA069WRPZ	1-4-12	AF		
PGLSPA720WREZ	1-4-45	AH		
PGLSPA767WREZ	2-5-6	AN		
PHOK - A164WRFZ	1-4-30	AM		
PPI PPA017WRFZ	2-5-20	AF		

R1500AT

PARTS CODE	No.	PRICE RANK	NEW MARK	PART RANK
PSHEGA011WREZ	1-2-6	AM		
PSHEPB323WREZ	1-4-69	AF		
PSHEPB325WREZ	2-5-21	AK		
PSHEPB332WREZ	2-3-10	AN		
PSHEPB353WREZ	1-4-29	AH		
PSHEPB455WREZ	1-4-74	AF		
PSKR-A462WRPZ	1-4-47	AF		
PSKR-A464WRPZ	1-4-55	AK		
PSKR-A500WRPZ	1-4-73	AK		
PSPASAO27WRFZ	1-4-72	AF		
<b>【 Q 】</b>				
QFS-CAO24WREO	1-F1	AH		
"	1-F2	AH		
QFSHDAO19WREO	1-1-9	AH		
QFS-TAO14WREO	1-TF1	AG		
"	1-TF2	AG		
QFS-TAO15WREO	1-TF3	AG		
OSOCLA024WREO	1-1-8	AH		
OSW-MAO85WREO	1-SW2	AF		
"	1-SW5	AF		
OSW-MAO86WREO	1-SW3	AF		
"	1-SW4	AF		
OSW-MAO87WREO	1-SW1	AF		
<b>【 R 】</b>				
RC-OZA315WRZZ	1-C1	AZ		
"	1-C2	AZ		
RC-OZA363WRZZ	1-C1	AS		
"	1-C2	AS		
RLMPTAO78WREO	1-OL	AL		
RMOT-AO36WRZZ	1-FM	BD		
RMOT-AO37WRZZ	1-EF	BF		
RMOTDA238WRZZ	1-AM	AS		
RTRN-A788WRZZ	1-T1	BU		
"	1-T2	BU		
RV-MZA369WRZZ	1-MG1	BG		
"	1-MG2	BG		
<b>【 T 】</b>				
TCADRAO36WRRZ	2-6-1	AG		
TCAUAA249WRRO	2-6-6	AE		
TCAUHA168WRRO	1-6-14	AH		
TCAUHA276WRRZ	2-6-15	AH		
TI NSMAO29WRRZ	2-6-2	AN		
TLABSA105WRRZ	1-6-17	AF		
<b>【 X 】</b>				
XBPS730P28KSO	1-7-8	AB		
XBPS740P25KOO	2-5-32	AC		
XBPS740P35000	1-7-25	AD		
XBTUW40P12000	1-7-5	AB		
XCBWW30P08000	1-7-23	AB		
XCHWW40P08000	1-7-29	AB		
XCPS730P08XSO	2-3-12	AC		
"	2-5-33	AC		
XCPS730P10000	1-7-26	AA		
XEPS730P08XSO	1-7-3	AB		
XEPS740P08000	2-5-7	AB		
XEPS740P10000	2-5-34	AA		
XETS740P10000	1-7-18	AA		
XETS740P12000	1-7-32	AC		
XPWW30P06000	1-7-22	AD		
XHPS730P06000	1-7-13	AB		
XHPS740P08KOO	1-7-4	AB		
XHTS740P08000	1-7-7	AC		
XHTS740P12RVO	1-7-30	AC		
XHTWW40P08000	1-7-20	AC		
XNES730-24000	1-7-9	AE		
XNGUW40-24000	1-7-15	AE		
XOTS740P08000	1-7-6	AA		
XOTWW40P08000	1-7-21	AB		
XOTWW40P10000	1-7-28	AA		
XREUW40-06000	1-4-18-3	AA		
XTPWW40P08000	1-7-31	AD		