

PARTS LIST

Note: The parts marked "Δ" may cause undue microwave exposure.

The parts marked "*" are used in voltage more than 250V.

REF. NO.	PART NO.	DESCRIPTION	Q'TY	CODE	
ELECTRIC PARTS					
	AM	RMOTDA234WRE0	Antenna motor	1	AR
*	C	RC-QZA320WRZZ	High voltage capacitor	1	AV
	F1	QFS-CA026WRZZ	Fuse F10A	1	AH
*	F2	QFS-IA002WRE0	High voltage fuse	1	AQ
	FM	RMOTEA378WRE0	Fan motor	1	AU
Δ*	MG	RV-MZA299WRE0	Magnetron	1	BK
	OL	RLMPTA078WRE0	Oven lamp	1	AL
	OL	RLMPTA069WRE0	Oven lamp (Interchangeable)	1	AK
	R	RR-WZA022WRE0	Monitor resistor 0.8 ohm 20 W	2	AK
	SW1	QSW-MA085WRE0	1st. interlock switch	1	AF
	SW2	QSW-MA085WRE0	2nd. interlock relay control switch	1	AF
	SW3	QSW-MA086WRE0	Monitor switch	1	AF
*	T	RTRN-A717WRZZ	High voltage transformer	1	BP
	TC1	RTHM-A123WRZZ	Thermal cut-out 125 deg. (OVEN)	1	AK
	TC1	RTHM-A096WRE0	Thermal cut-out 125 deg. (OVEN) (Interchangeable)	1	AK
	TC2	RTHM-A120WRE0	Thermal cut-out 145 deg. (MAG)	1	AH
	TC2	RTHM-A080WRE0	Thermal cut-out 145 deg. (MAG) (Interchangeable)	1	AP
	1- 1	QACC-A148WRZZ	Power supply cord	1	AW
*	1- 2	FH-DZA091WRK0	High voltage rectifier assembly	1	AY
	1- 3	QSOCLA024WRE0	Oven lamp socket	1	AH
	1- 4	FPWBFA367WRKZ	Noise filter	1	AZ

CABINET PARTS

2- 1	GCABUA672WRP0	Outer case cabinet	1	BH
2- 2	GDAI-A318WRW0	Base plate	1	AV
2- 3	GCOVHA406WRW0	Base plate cover	1	AQ
2- 4	GLEGPA074WRE0	Foot	2	AC
2- 5	GLEGPA076WRP0	Leg	1	AF

CONTROL PANEL PARTS

3- 1	DPWBFC157WRKZ	Control unit	1	BM
3- 2	FPNLCB772WRKZ	Control panel frame assembly	1	BA
3- 2-1	GCOVAA330WRRZ	C/P case	1	BA
3- 3	JBTN-B263WRTZ	Select button	1	
3- 4	JKNEKA657WRTZ	Timer knob	1	AQ
3- 5	XEPSD30P08XS0	Screw; 3mm x 8mm	7	AA

OVEN PARTS

Δ	4- 1	FGLSPA062WRE0	Ceramic shelf	1	BL
Δ	4- 2	DOWN-A514WRY0	Oven cavity	1	BU
Δ	4- 3	MLEVPA227WRP0	Latch switch lever A	1	AF
Δ	4- 4	MLEVPA228WRP0	Latch switch lever B	1	AF
Δ	4- 5	MLEVPA229WRP0	Latch switch lever C	1	AF
	4- 6	MSPRCA108WRE0	Latch lever spring	3	AC
	4- 7	MSPRTA191WRE0	Switch lever B spring	1	AC
Δ	4- 8	PHOK-A121WRPZ	Latch hook	1	AG
	4- 9	FDUC-A362WRYZ	Steam duct sub assembly	1	BB
	4-10	PSKR-A351WRP0	Steam guide	1	AY
	4-11	LBNDKA139WRW0	HV capacitor holder	1	AR
	4-12	NFANJA029WRE0	Fan blade	1	AK
	4-13	PDUC-A697WRP0	Fan duct	1	AM
	4-14	FPLT-A007WRY0	Stirrer antenna assembly	1	BB
	4-15	PCUSUA507WRP0	Cushion	1	AC
	4-16	PCUSGA378WRP0	Cushion	1	AL
	4-17	PSPA-A112WRE0	Mica washer	1	AC
	4-18	LANGFA199WRWZ	Chassis support	1	AH
	4-19	NSFTPA035WRPZ	Antenna motor shaft	1	AQ
	4-20	PSKR-A359WRW0	Air guide	1	AM
	4-21	PSKR-A349WRP0	Steam duct barrier	1	AF
	4-22	PFILWA060WRP0	Lamp filter	1	AD
	4-23	PDUC-A722WRP0	Air intake duct	1	AF
	4-24	PCUSGA249WRP0	Cushion	1	AA
	4-25	PCUSUA235WRP0	Cushion	1	AE
	4-26	PCUSUA511WRP0	Cushion	2	AC
	4-27	PCUSUA329WRP0	Cushion	1	AC
	4-28	PCUSUA514WRP0	Cushion	1	AB
	4-29	PPACGA171WRE0	Cushion	1	AK
	4-30	PCUSUA515WRP0	Cushion	1	AD
	4-31	PSHEPA668WRE0	Cover	1	AK
	4-32	PCLICA034WRE0	Hand clip	3	AD
	4-33	PSHEPA673WRE0	S/Film	1	AD
	4-34	GLEGPA056WRE0	Leg	1	AD

REF. NO.	PART NO.	DESCRIPTION	Q'TY	CODE
4-35	LANGQA556WRMZ	Earth angle	1	AL
4-36	PCUSUA270WRP0	Cushion	1	AG

DOOR PARTS

Δ	5- 1	FDORFA322WRT0	Door panel assembly	1	AZ
	5- 2	PSHEPA649WRE0	Sealer film	1	AB
Δ	5- 3	FANGKA206WRY0	Latch angle assembly	1	AW
	5- 4	FCOV-A005WRKZ	Door case assembly	1	BH
	5-4-1	LSTPPA180WRF0	Glass stopper R	1	AK
	5-4-2	LSTPPA182WRF0	Glass stopper U	1	AN
	5-4-3	PGLSPA522WRE0	Front door glass	1	AQ
	5-4-4	XCPSD40P08000	Screw : 4mm x 8mm	6	AA
	5-4-5	PSLDM198WREZ	Sealer plate	1	BB
	5- 5	GWAKPA580WRM0	Door handle	1	AQ
Δ	5- 6	JHNDMA040WRW0	Handle lever	1	AN
Δ	5- 7	LANGKA874WRW0	Latch lever	1	AR
	5- 8	LSTPPA181WRF0	Latch head	2	AL
	5- 9	MSPRTA190WRE0	Latch spring	1	AD
	5-10	PCUSUA506WRP0	Cushion	1	AC
	5-11	XEPSD40P06000	Screw : 4mm x 6mm	1	AB
	5-12	PSHEPA686WRE0	Panel sheet	2	AK
	5-13	PSHEPA687WRE0	Panel sheet	1	AK
	5-14	LANGJA020WRP0	Earth angle	1	AD
	5-15	PCUSUA505WRP0	Cushion	1	AC
Δ	5-16	XEBSD38P08000	Screw : 3.8mm x 8mm	4	AA
	5-17	GCOVHA407WRF0	Choke cover	1	AM
	5-18	HBDGCA112WREZ	Door badge	1	AG
	5-19	XEPSD40P25K00	Screw : 4mm x 25mm	2	AB
	5-20	PCUSUA508WRP0	Cushion	1	AC
	5-21	PCUSGA514WRP0	Cushion	1	AG

MISCELLANEOUS

	6- 1	TINSZA100WRRZ	Instruction book	1	AQ
	6- 2	FW-VZB997WREZ	Main wire harness	1	BC
	6- 3	TCAUHA276WRRZ	Caution sheet	1	AH
	6- 4	TCAUHA168WRR0	H caution label	1	AH
	6- 5	TCAUAA249WRR0	Caution label	1	AE

SCREWS,NUTS AND WASHERS

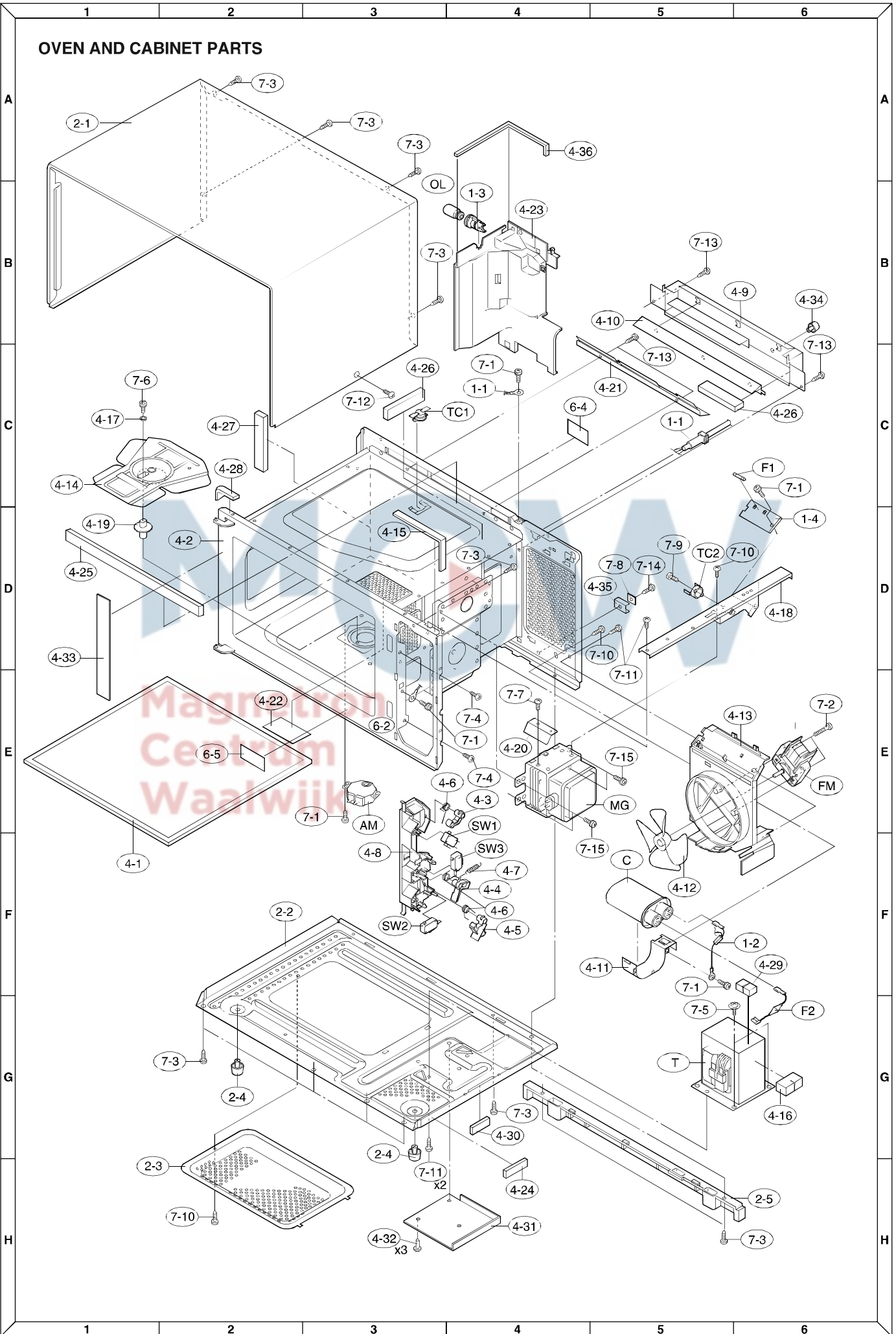
	7- 1	XHPSD40P08K00	Screw : 4mm x 8mm	5	AA
	7- 2	XEPSD40P25000	Screw : 4mm x 25mm	2	AA
	7- 3	XOTSD40P12RV0	Screw : 4mm x 12mm	12	AA
	7- 4	LX-CZ0052WRE0	Special screw	2	AA
	7- 5	LX-EZA042WRE0	Special screw	2	AB
	7- 6	XBPPW40P04000	Screw : 4mm x 4mm	1	AB
	7- 7	XFPSD40P08000	Screw : 4mm x 8mm	1	AA
	7- 8	LX-WZA035WRE0	Special washer	1	AB
	7- 9	XHPSD30P06000	Screw : 3mm x 6mm	1	AA
	7-10	XHTSD40P08RV0	Screw : 4mm x 8mm	3	AA
	7-11	XOTSD40P12000	Screw : 4mm x 12mm	4	AA
	7-12	XOTSE40P08000	Screw : 4mm x 8mm	1	AA
	7-13	XOTWW40P10000	Screw : 4mm x 10mm	4	AA
	7-14	XHTSD40P12RV0	Screw : 4mm x 12mm	1	AA
	7-15	XHPSD40P08000	Screw : 4mm x 8mm	4	AA

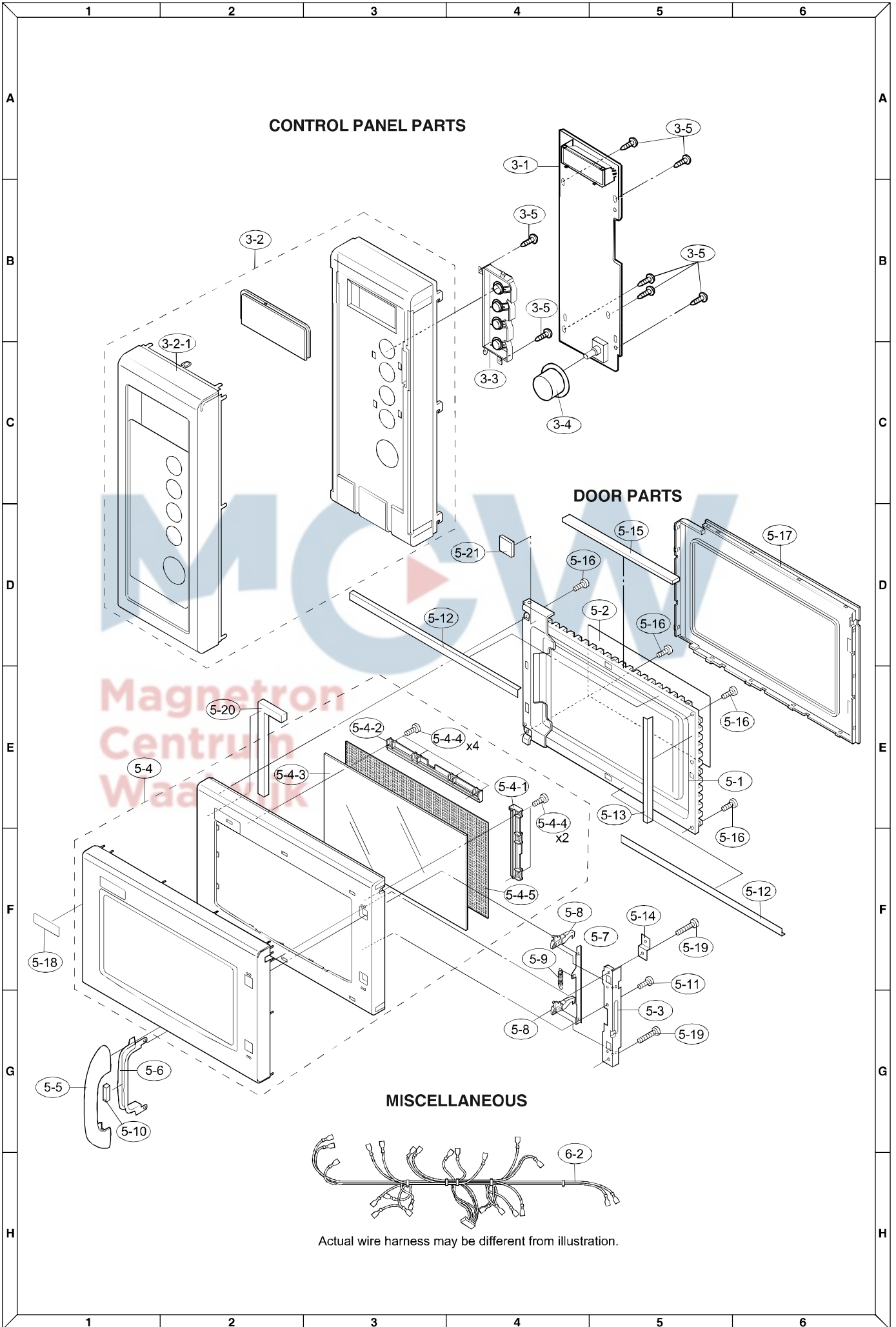
HOW TO ORDER REPLACEMENT PARTS

To have your order filled promptly and correctly, please furnish the following information.

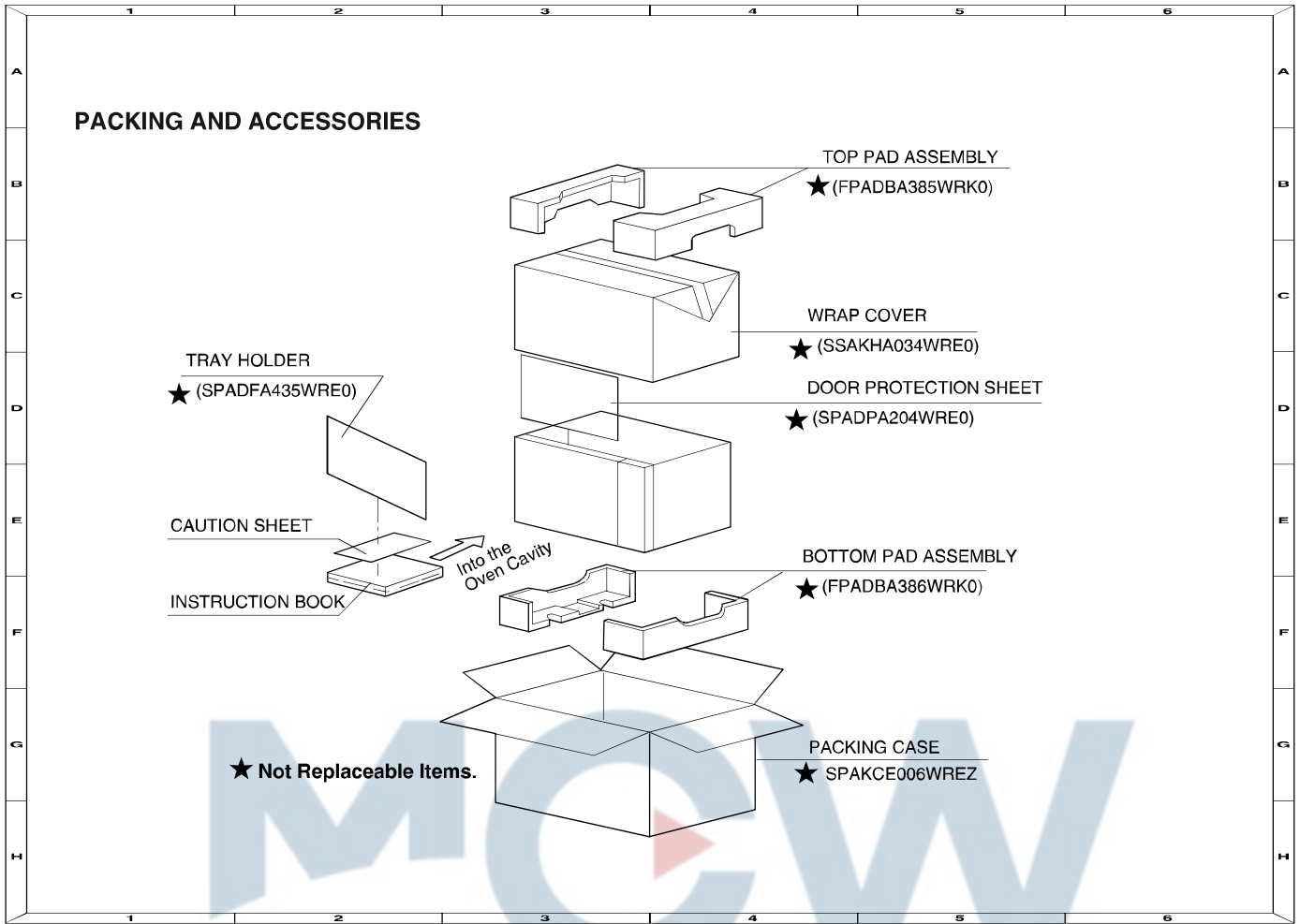
1. MODEL NUMBER
2. REF. NO.
3. PART NO.
4. DESCRIPTION

OVEN AND CABINET PARTS





MAGNETRON
Centrum
Waarlijk



Magnetron
Centrum
Waal

SHARP®