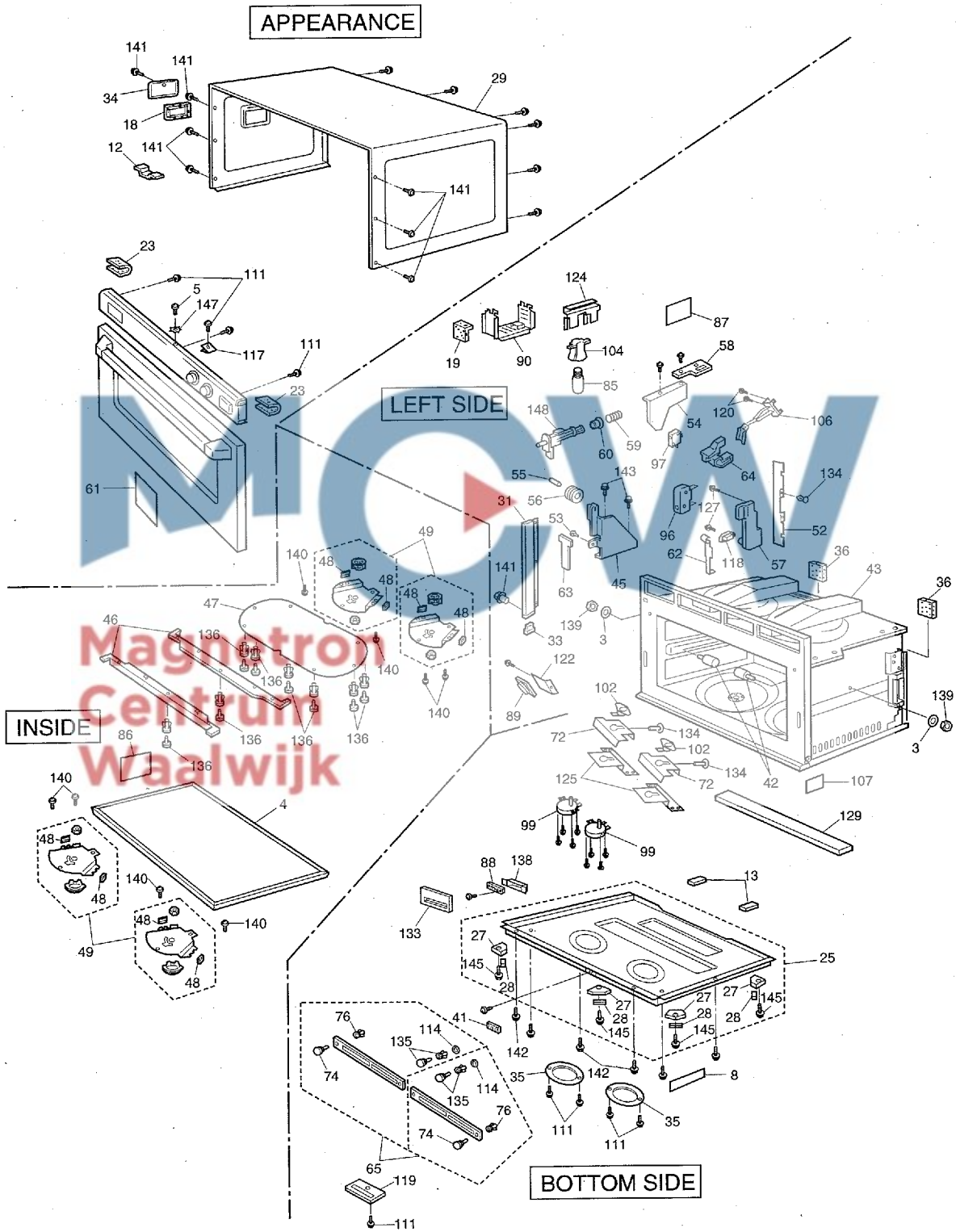
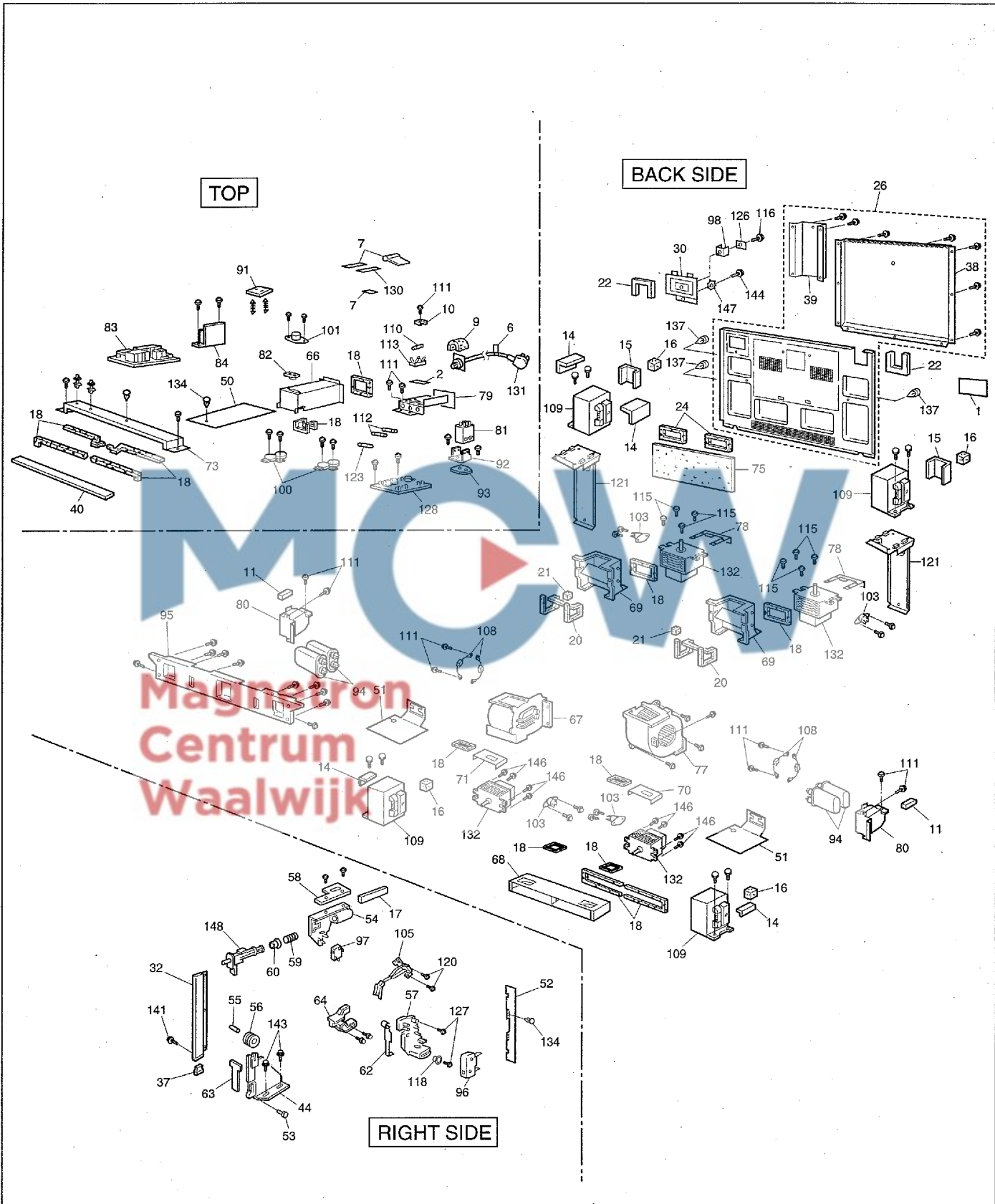


EXPLODED VIEW AND PARTS LIST

EXPLODED VIEW



(S-356 SPG)



Magnesium
Centrum
Waalwijk

(S-356 SPG)

PARTS LIST

NOTE : When ordering replacement part(s), please use part number(s) shown in this parts list.

Do not use description of the part.

: Important safety notice:

Components identified by \triangle mark have special characteristics important for safety.

When replacing any of these components, use only manufacturer's specified parts.

Ref. No.	Part No.	Part Name & Description	Pcs/ Set	Remarks
1	ANE00068U0EP	CAUTION LABEL	1	
2	ANE0033P10GN	FUSE LABEL	1	NE-1540,NE-1840,NE-1880
2	A00333030GP	FUSE LABEL	1	NE-2740
3	XWG5BV	WASHER	2	FOR SHELF SUPPORT
4	A010T3030GP	SHELF	1	
5	XTS4+10FC	SCREW	1	(4X10) FOR ESCUTCHEON BASE
6	ANE0239X70SP	CORD LABEL	1	
7	A02433580GP	TERMINAL LABEL	1	NE-1540,NE-1840,NE-1880
7	A02433560GP	TERMINAL LABEL	1	NE-2740
8	A05243600SP	NAME LABEL	1	NE-1540
8	A05243580SP	NAME LABEL	1	NE-1840
8	A05243590SP	NAME LABEL	1	NE-1880
8	A05243560SP	NAME LABEL	1	NE-2740
9	ANE0901000CD	CUSHION RUBBER A	1	NE-2740
10	XWNANE53GV	SPACER	1	FOR TERMINAL PLATE
11	ANE0911000DC	CUSHION RUBBER B	2	NE-2740
12	ANE0911000DF	CUSHION RUBBER B	1	
13	ANE0911000EG	CUSHION RUBBER B	2	
14	ANE0911000EH	CUSHION RUBBER B	2	NE-1540,NE-1840,NE-1880
14	ANE0911000EH	CUSHION RUBBER B	4	NE-2740
15	ANE0911000MG	CUSHION RUBBER B	2	NE-2740
16	ANE0917000EB	CUSHION RUBBER B	2	
17	ANE0921000CG	CUSHION RUBBER C	1	
18	ANE000Z000AA	CUSHION RUBBER C	15	
19	ANE0922000JE	CUSHION RUBBER C	1	
20	ANE000Z000AB	CUSHION RUBBER C	2	
21	ANE0924000AB	CUSHION RUBBER C	2	
22	ANE0961000ZL	CUSHION RUBBER D	2	
23	ANE0962000ZE	CUSHION RUBBER D	2	
24	ANE0963000AS	CUSHION RUBBER D	2	
25	A100A3560GP	BASE	1	NOTE 1 (W/FOOT,RUBBER FOOT)
26	A100Q3560GP	BACK PANEL	1	
27	A1007-3280	FOOT	4	
28	A1008-3280	RUBBER FOOT	4	
29	A10093030GP	CABINET BODY (U)	1	
30	A101H3170GP	BACK PANEL COVER C	1	
31	A10133030GP	LEFT SIDE SASH	1	
32	A10143030GP	RIGHT SIDE SASH	1	
33	A10203030GP	SASH RUBBER B	1	LEFT
34	A10263030GP	LAMP COVER	1	
35	A10283030GP	ANTENNA MOTOR COVER	2	
36	A10493030GP	CUSHION RUBBER	2	
37	A10503030GP	SASH RUBBER A	1	RIGHT
38	A10583560GP	BACK PANEL COVER A	1	
39	A10593560GP	BACK PANEL COVER B	1	
40	A11743060GP	SPACER	1	
41	A16163030GP	PANEL B (U)	1	NE-1540,NE-1840,NE-2740
41	A16163060GP	PANEL B (U)	1	NE-1880
42	A18593560GP	SHELF SUPPORT	2	
43	A200A3560GP	OVEN	1	
44	A200P3030GP	ROLLER BRACKET A	1	RIGHT
45	A200Q3030GP	ROLLER BRACKET B	1	LEFT
46	A20103030GP	CEILING PLATE B	2	

Ref. No.	Part No.	Part Name & Description	Pcs/ Set	Remarks
47	A20113030GP	CEILING PLATE A	1	
48	A20193030GP	ANTENNA STOPPER	8	
49	A202R3560GP	ANTENNA (U)	4	
50	A22173030GP	BARRIER SHEET A	1	
51	A22183030GP	BARRIER SHEET B	2	NE-2740
52	A22193030GP	BARRIER SHEET C	1	NE-1540,NE-1840,NE-1880
52	A22193030GP	BARRIER SHEET C	2	NE-2740
53	ANE3008P00RN	HINGE PIN	2	
54	A30203030GP	DOOR HOOK A	2	
55	ANE3033-560	DOOR ROLLER PIN	2	
56	ANE3034-560	DOOR GUIDE ROLLER	2	
57	A31123050GP	DOOR HOOK B	2	NE-1540,NE-1840,NE-1880
57	A31123030GP	DOOR HOOK B	2	NE-2740
58	A31363030GP	HOOK SPACER A	2	
59	ANE3155-610	SPRING	2	
60	ANE3157-610	PACKING RUBBER	2	
61	A31863600GP	DOOR PANEL	1	NE-1540
61	A31863580GP	DOOR PANEL	1	NE-1840
61	A31863590GP	DOOR PANEL	1	NE-1880
61	A31863560GP	DOOR PANEL	1	NE-2740
62	A32493030GP	DOOR SWITCH LEVER	2	
63	A32523030GP	DOOR ARM SPACER	2	
64	A33373030GP	DOOR ARM LEVER	2	
65	A400B3040AP	AIR FILTER FLAME	2	
66	A400C3040AP	EXHAUST GUIDE B	1	
67	△ A490W3050GP	FAN MOTOR A (K2RB220BU)	1	NE-1540,NE-1840,NE-1880 (48W)
67	△ A490W3030GP	FAN MOTOR A (K2RB220BU)	1	NE-2740 (55W)
68	A402N3030GP	EXHAUST GUIDE A	1	
69	A40253030GP	AIR GUIDE A	2	
70	A40263030GP	AIR GUIDE B	1	
71	A40313030GP	AIR GUIDE C	1	
72	A40423040AP	AIR GUIDE F	2	
73	A40473560GP	AIR GUIDE E	1	
74	A40923030GP	FILTER HANDLE	2	
75	A40963030GP	INSULATION SHEET	1	
76	ANE42408U0AP	FILTER HANDLE B	2	
77	△ A490Y3050GP	FAN MOTOR B (2RB220AU)	1	NE-1540,NE-1840,NE-1880 (48W)
77	△ A490Y3030GP	FAN MOTOR B (K2RB32JU)	1	NE-2740 (55W)
78	ANE50328U0AP	MAGNETRON BRACKET	2	
79	A600E3030GP	TERMINAL PLATE	1	
80	A600S3030GP	CAPACITOR BRACKET	2	
81	△ ANE6004P60GP	POWER RELAY	1	NE-2740
82	A601L4000AP	TEMP SENSOR	1	
83	A603M3600GP	PC BOARD B (U)	1	NE-1540
83	A603M3580GP	PC BOARD B (U)	1	NE-1840,NE-1880
83	A603M3560GP	PC BOARD B (U)	1	NE-2740
84	△ A603Y3560GP	L.V.TRANSFORMER (U)	1	
85	ANE6030Q50GN	INCANDESCENT LAMP	1	
86	A60403030GP	OVEN LAMP SHEET	1	
87	A60403040AP	OVEN LAMP SHEET	1	
88	A605Q3030GP	PUSH SWITCH	1	
89	A605S3030GP	PC BOARD H (U)	1	
90	A60733030GP	OVEN LAMP COVER (U)	1	
91	A608E3560GP	PC BOARD Q (U)	1	NE-2740
92	ANE6082P10GN	POWER RELAY BRACKET A	1	NE-2740
93	A60823030GP	POWER RELAY BRACKET B	1	NE-2740
94	△ A60903070BP	H.V.CAPACITOR	4	NE-1540 (0.53MF,AC2000V)
94	△ A60903050BP	H.V.CAPACITOR	4	NE-1840,NE-1880 (0.63MF,AC2000V)
94	△ A63903310GP	H.V.CAPACITOR	4	NE-2740 (0.82MF,AC2300V)
95	A61073030GP	PARTS BRACKET B	1	

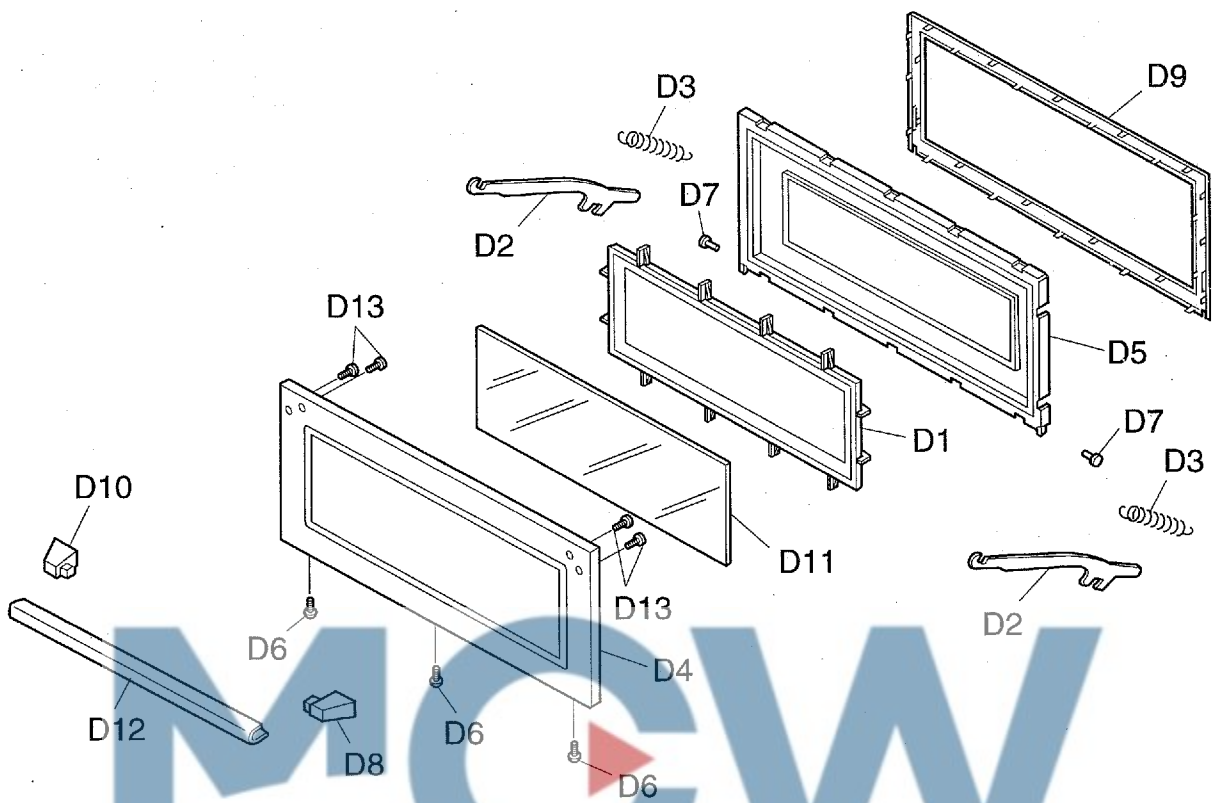
Ref. No.		Part No.	Part Name & Description	Pcs/ Set	Remarks
96	⚠	ANE6142-F60	MICROSWITCH	2	NE-1540,NE-1840,NE-1880 (V-15G-3C26) SECONDARY LATCH SWITCH
96	⚠	A61423030GP	MICROSWITCH	2	NE-2740 (A-20G7-3C108) SECONDARY LATCH SWITCH
97	⚠	ANE61424L0AG	MICROSWITCH	2	(V-16G-3C26) PRIMARY LATCH SWITCH
98		XWNANE65GV	SPACER	1	FOR BACK PANEL COVER C
99	⚠	A6144-3280	ANTENNA MOTOR	2	(2.5W) LOWER
100	⚠	A61446030AP	ANTENNA MOTOR	2	(2.5W) UPPER
101	⚠	A61454000AP	THERMAL CUTOUT	1	FOR OVEN
102	⚠	A61454050AP	THERMAL CUTOUT	2	FOR ANTENNA MOTOR
103	⚠	A61454210AP	THERMAL CUTOUT	4	FOR MAGNETRON
104	⚠	ANE61522Q0BP	SOCKET	1	
105	⚠	A61583030GP	DOOR SWITCH A	1	RIGHT
106	⚠	A61583050GP	DOOR SWITCH B	1	LEFT
107		A61703030GP	INSULATION SHEET C	1	
108		A62024000AP	DIODE,SI	4	
109	⚠	A622A3580GP	H.V.TRANSFORMER	2	NE-1540,NE-1840,NE-1880 (1.8KVA)
109	⚠	A622A3560GP	H.V.TRANSFORMER	4	NE-2740 (1.6KVA)
110	⚠	A62303580GP	FUSE	1	NE-1540,NE-1840,NE-1880 (20A)
110	⚠	A62303030EP	FUSE	1	NE-2740 (20A)
111		XYD4+EE12F	SCREW	19	(4X12) FOR TERMINAL PLATE, ANTENNA MOTOR COVER,DIODE, SWITCH HOLDER,EARTH, CAPACITOR BRACKET,ESCUTCHEON BASE
112	⚠	A62304210BP	FUSE	2	NE-1540,NE-1840,NE-1880 (10A)
112	⚠	A67593560GP	FUSE	2	NE-2740 (7A)
113		A62314000AP	FUSE HOLDER	1	NE-1540,NE-1840,NE-1880
113		ANE6231H10RN	FUSE HOLDER	1	NE-2740
114		A62383030GP	SPACER	2	
115		XYEANE5+C16T	SCREW	8	(5X16) FOR MAGNETRON:UPPER
116		XYE6+F20F	SCREW	1	(6X20) FOR BACK PANEL COVER C
117		ANE64086Q0AP	WASHER	1	NE-1880
118		A64083040AP	WASHER	2	
119		A65313030GP	SWITCH HOLDER	1	
120		XYN4+F12S	SCREW	4	(4X12) FOR DOOR SWITCH
121		A65513030GP	H.V.T.MOUNTING	2	NE-2740
122		A65613030GP	BUZZER CASE	1	
123	⚠	A65953170GP	FUSE B	1	NE-1540,NE-1840,NE-1880 (1.25A)
123	⚠	A65953030GP	FUSE B	1	NE-2740 (3A)
124		A66033030GP	OVEN LAMP BRACKET	1	
125		A66263040AP	THERMAL CUTOUT MOUNT	2	
126		A66623170GP	EARTH SPACER	1	
127		XYN4+F18S	SCREW	4	(4X18) FOR DOOR HOOK B
128	⚠	A692Y3580GP	NOISE FILTER (U)	1	NE-1540,NE-1840,NE-1880
128	⚠	A692Y3560GP	NOISE FILTER (U)	1	NE-2740
129		A80163060GP	CUSHION SPACER	1	
130		ANE81508V0V	TERMINAL LABEL B	1	NE-1540,NE-1840,NE-1880
131	⚠	A910A3580GP	AC CORD W/PLUG(U)	1	NE-1540,NE-1840,NE-1880 (230V)
131	⚠	A910A3560GP	AC CORD W/PLUG(U)	1	NE-2740 (230V)
132	⚠	2M210-M1EL	MAGNETRON	4	
133		A83613030GP	SWITCH SPACER	1	
134		ANE9080-730	CLIP (YELLOW)	4	NE-1540,NE-1840,NE-1880
134		ANE9080-730	CLIP (YELLOW)	5	NE-2740
135		ANE90828U0AP	CLIP (BLACK)	2	
136		ANE9082930AP	CLIP	8	
137		A91433040AP	CLIP	3	NE-1540,NE-1840,NE-1880
137		A91433040AP	CLIP	1	NE-2740
138		A98363030GP	CASE	1	
139		XNW5EFN	NUT	2	FOR SHELF SUPPORT
140		XST4+6VS	SCREW	8	(4X6) FOR ANTENNA

Ref. No.	Part No.	Part Name & Description	Pcs/ Set	Remarks
141	XTC4+10BC	SCREW	9	(4X10)FOR CABINET BODY,SASH,LAMP COVER
142	XTC4+12BK	SCREW (BLACK)	3	(4X12) FOR BASE
143	XTEANE5+10B	SCREW	4	(5X10) FOR ROLLER BRACKET
144	XTT4+8E	SCREW	1	(4X8) FOR BACK PANEL COVER
145	XTWANE3+8EX	SCREW	4	(3X8) FOR FOOT
146	XTWANE4+10RU	SCREW	8	(4X10) FOR MAGNETRON:LOWER
147	XWC4BPN	WASHER	2	FOR BACK PANEL COVER,ESCUTCHEON BASE
148	A30183030GP	DOOR KEY A	2	

NOTE 1 : Please order name plate together.



DOOR ASSEMBLY



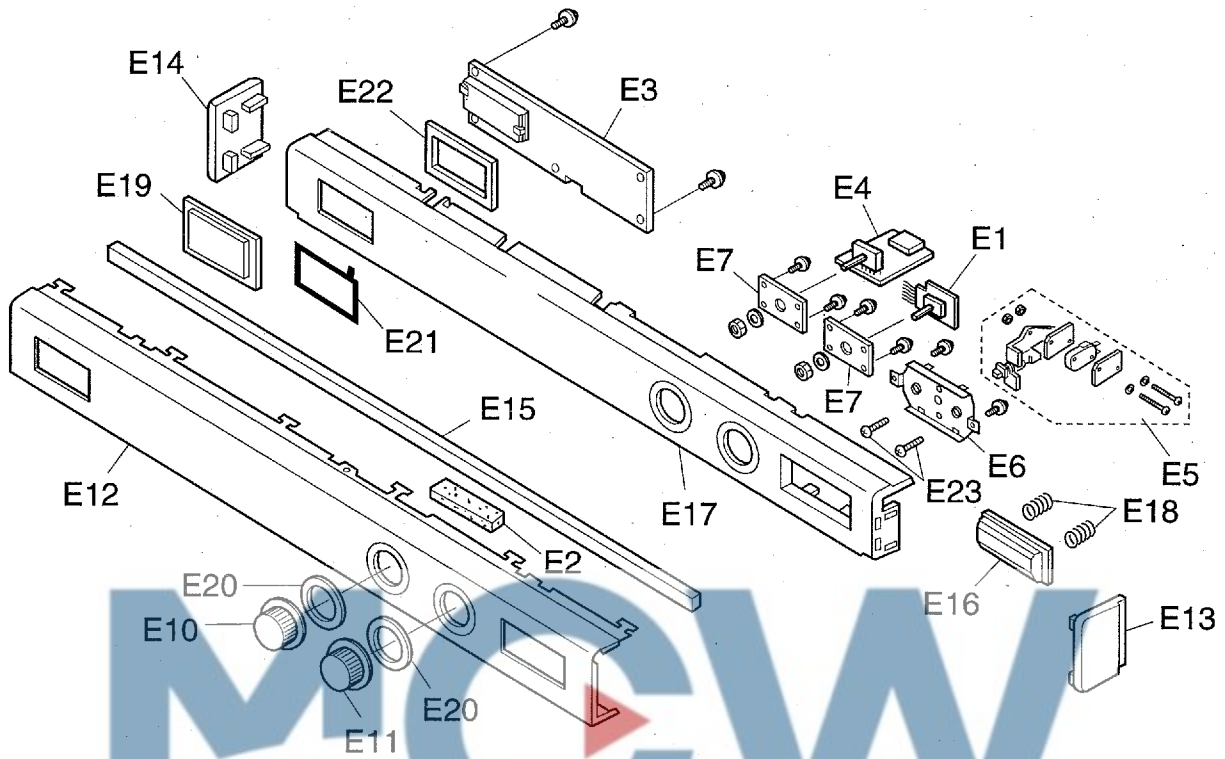
(S-356 SPG)

Magnetron
Centrum
GmbH

Ref. No.	Part No.	Part Name & Description	Pcs/ Set	Remarks
D1	A30033030GP	DOOR FRAME	1	
D2	A30043030GP	DOOR ARM	2	
D3	ANE3009P00RN	DOOR SPRING	2	
D4	A301A3030GP	DOOR A	1	
D5	A302K3030GP	DOOR E (U)	1	
D6	XTC4+10BC	SCREW	3	(4X10)
D7	ANE3036P00RN	DOOR ARM PIN	2	
D8	A30703030GP	HANDLE PEICE A	1	
D9	A30853030GP	DOOR C	1	
D10	A31343030GP	HANDLE PEICE B	1	
D11	A31463030GP	DOOR SCREEN B	1	
D12	A31473030GP	HANDLE PEICE C	1	
D13	XYEANE4+C16T	SCREW	4	(4X16)

ESCUTCHEON BASE ASSEMBLY

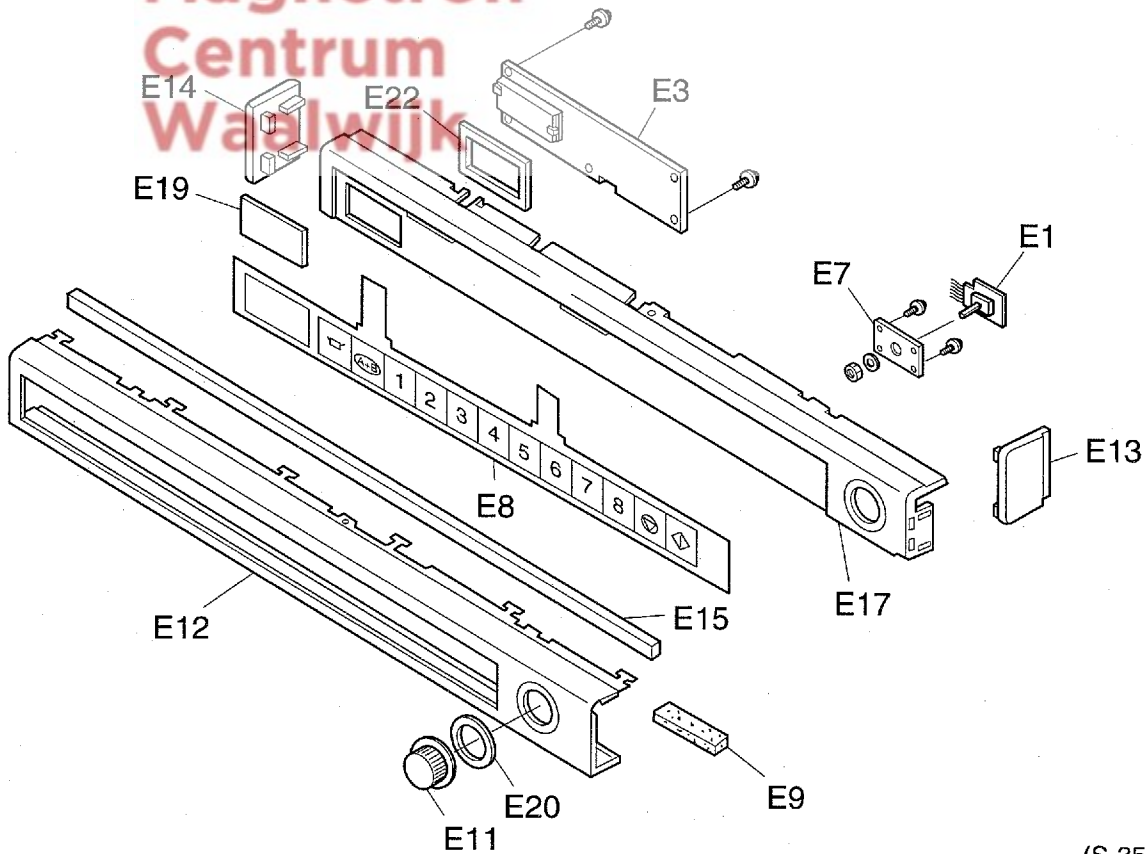
NE-1540,NE-1840,NE-2740



(S-356 SPG)

NE-1880

Magnetron
Centrum
Waalwijk



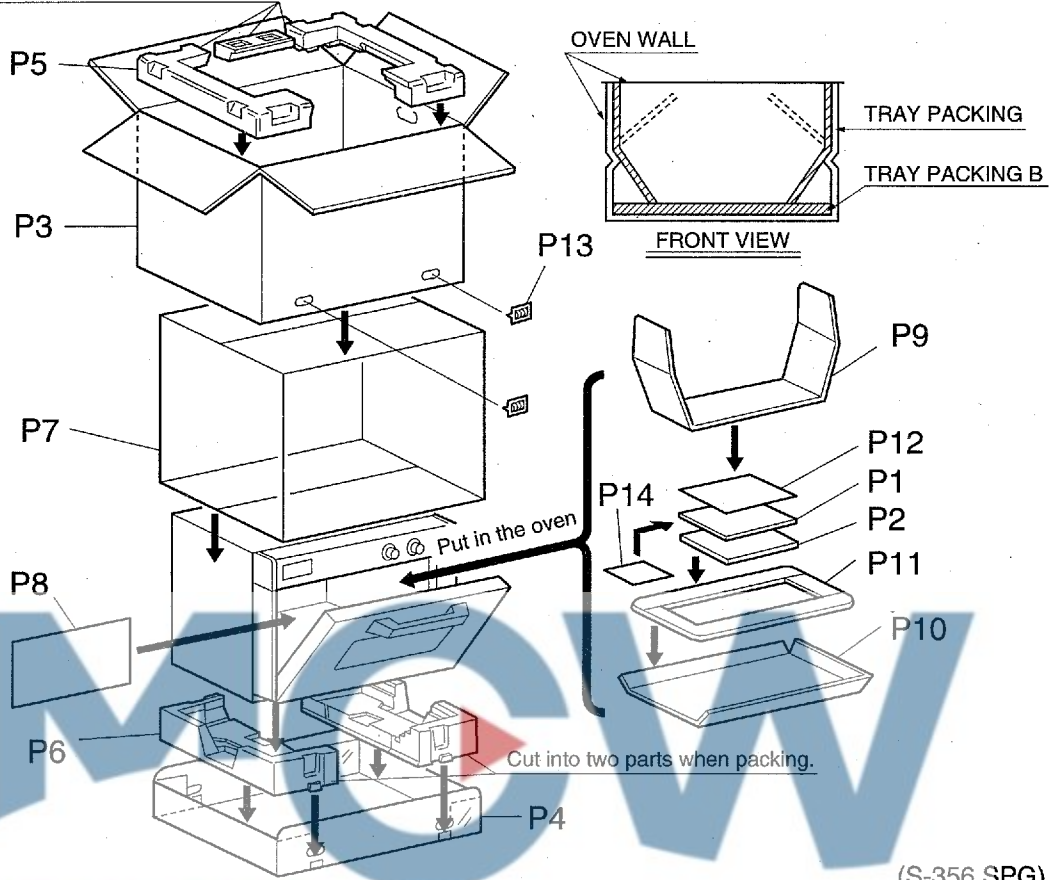
(S-356 SPG)

Ref. No.		Part No.	Part Name & Description	Pcs/ Set	Remarks
E1		A03613560GP	TIMER	1	
E2		ANE1062-8U0	CUSHION RUBBER B	1	NE-1540,NE-1840,NE-2740
E3	⚠	A603L3560GP	D.P.CIRCUIT (U)	1	NE-1540,NE-1840,NE-2740 RTL (W/COMPONENT)
E3	⚠	A603L3590GP	D.P.CIRCUIT (U)	1	NE-1880 RTL (W/COMPONENT)
E4		A608C3560GP	POWER SELECT SWITCH	1	NE-1540,NE-1840,NE-2740
E5		ANE610EP00RN	START SWITCH	1	NE-1540,NE-1840,NE-2740 (V-10-IC28)
E6		A61623030GP	START SWITCH BRACKET	1	NE-1540,NE-1840,NE-2740
E7		A63433030GP	TIMER BRACKET	2	NE-1540,NE-1840,NE-2740
E7		A63433030GP	TIMER BRACKET	1	NE-1880
E8	⚠	A64793590GP	MEMBRANE SWITCH	1	NE-1880
E9		ANE0911000AB	CUSHION RUBBER B	1	NE-1880
E10		A800D3030GP	TIMER KNOB	1	NE-1540,NE-1840,NE-2740
E11		A800D3060GP	TIMER KNOB	1	
E12		A80013030GP	ESCUTCHEON A	1	NE-1540,NE-1840,NE-2740
E12		A80013060GP	ESCUTCHEON A	1	NE-1880
E13		A80023030GP	ESCUTCHEON B	1	
E14		A80063030GP	ESCUTCHEON D	1	
E15		A80163030GP	CUSHION SPACER	1	
E16		ANE8024P00RN	COOK BUTTON	1	NE-1540,NE-1840,NE-2740
E17		A80343030GP	ESCUTCHEON BASE	1	NE-1540,NE-1840,NE-2740
E17		A80343060GP	ESCUTCHEON BASE	1	NE-1880
E18		ANE8037P00RN	COOK BUTTON SPRING	2	NE-1540,NE-1840,NE-2740
E19		A81263030GP	SMOKE PANEL	1	NE-1540,NE-1840,NE-2740
E19		A81263060GP	SMOKE PANEL	1	NE-1880
E20		A82873030GP	SPACER A	2	NE-1540,NE-1840,NE-2740
E20		A82873030GP	SPACER A	1	NE-1880
E21		A83373560GP	ESCUTCHEON SHEET	1	NE-1540,NE-1840,NE-2740
E22		A83423030GP	CUSHION RUBBER B	1	NE-1540,NE-1840,NE-2740
E22		A83423060GP	CUSHION RUBBER B	1	NE-1880
E23		XYN4+C8S	SCREW	2	NE-1540,NE-1840,NE-2740 (4X8)

**Magnetron
Centrum
Waalwijk**

PACKING AND ACCESSORIES

Cut into three parts when packing.



(S-356 SPG)

Ref. No.	Part No.	Part Name & Description	Pcs/Set	Remarks
P1	A00033560SP	INSTRUCTION BOOK	1	NE-1540,NE-1840,NE-2740
P1	A00033590SP	INSTRUCTION BOOK	1	NE-1880
P2	A00163560EP	COOK BOOK	1	
P3	A01023600SP	PACKING CASE,PAPER	1	NE-1540
P3	A01023580SP	PACKING CASE,PAPER	1	NE-1840
P3	A01023590SP	PACKING CASE,PAPER	1	NE-1880
P3	A01023560SP	PACKING CASE,PAPER	1	NE-2740
P4	A01033030GP	BOTTOM CASE	1	
P5	A01043030GP	UPPER FILLER	1	
P6	A01053030GP	LOWER FILLER	1	
P7	A01063040AP	VINYL COVER	1	
P8	A01073030GP	DOOR SHEET	1	
P9	A01083030GP	TRAY PACKING	1	
P10	A01173030GP	TRAY PACKING B	1	
P11	A012D3050GP	SHELF B	1	
P12	A04203590SP	OPERATING GUIDE	1	NE-1880
P13	HP-601W2	FASTENER	4	
P14	A01723560SP	CAUTION LABEL	1	