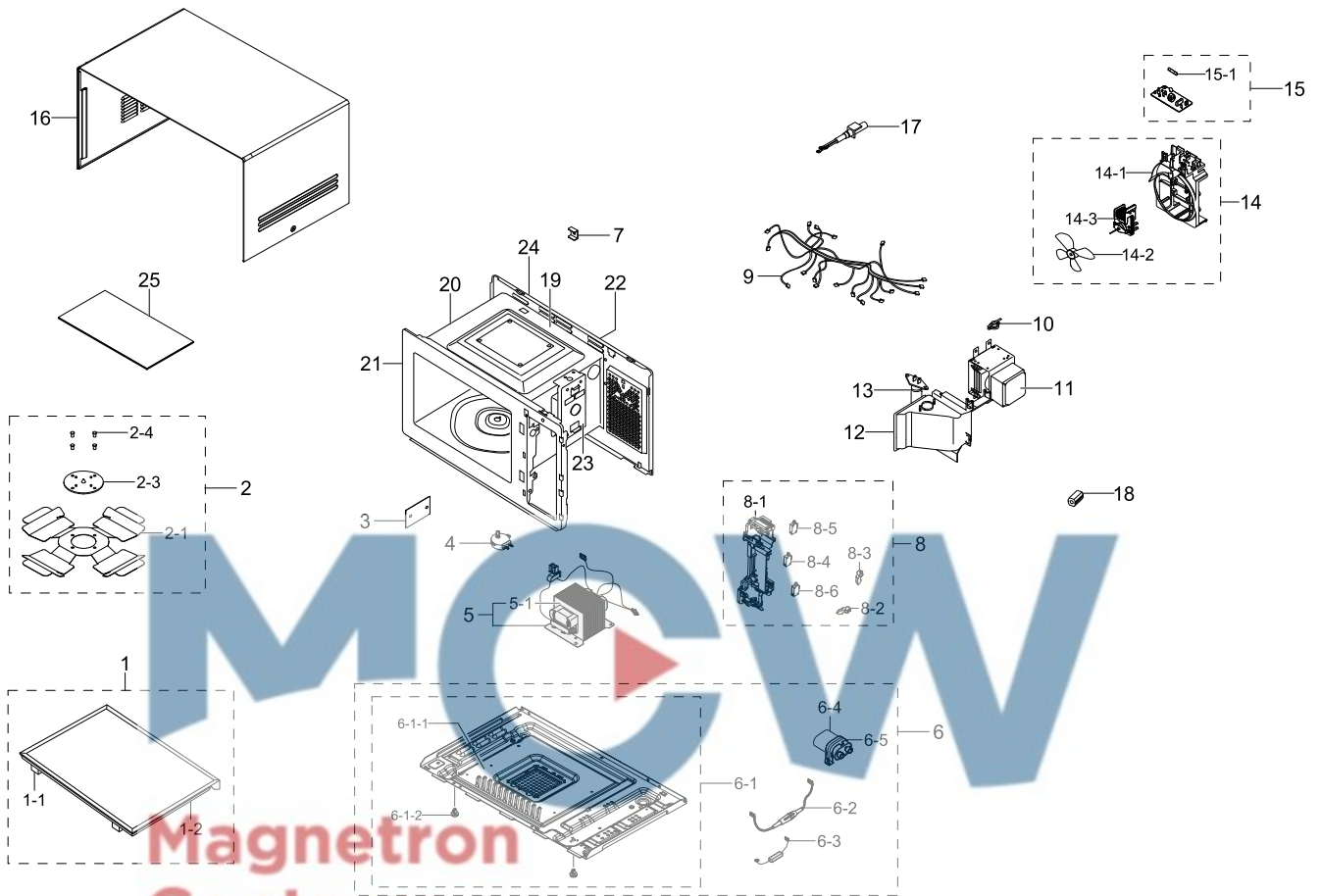


1. CM1099A/XEU

Exploded View



Parts List

No.	Lvl.	Loc.	Material Code	Description & Specification	SNA	Qty.
1	2	T002	DE97-00191A	ASSY-TRAY CERAMIC; CM1049,-,T3.2,COMMERC	SA	1
1-1	3	T108	DE61-00170A	FOOT-TRAY; CM1049,URETHAN,WHT	SNA	4
1-2	3	T002	DE74-00021A	TRAY-CERAMIC; CM1049,CERAMIC,T3.0,-,-,-,-	SNA	1
2	2	P001	DE97-00190A	ASSY STIRRER; CM1049,ALS	SA	1
2-1	3	T036	DE31-00009A	BLADE-STIRRER; CM1030M,ALP1050,T0.8	SNA	1
2-3	3	T037	DE61-00098A	HOLDER-STIRRER; CM1030M,TEFLON,WHT	SNA	1
2-4	3	M078	DE69-90054A	CLIP-STIRRER; 5mm,TEFLON-PFA,CM1819/29	SA	4
3	2	M051	DE71-00163A	COVER-CEILING; CM1049,MICA SHEET,T0.5,W12	SA	1
4	2	M049	DE31-10173C	MOTOR AC DRIVE; SM16F,SM16FBY36T4AX,8Pole	SA	1
5	1		DE96-00964C	ASSY POWER PACK; CM1079-A/XEU,0.8 CU.FT	SNA	1
5-1	2	M038	DE26-00051B	TRANS H.V; SHV-E1049B,230V,2360V/3.40V,AL	SA	1

Exploded Views and Parts List

No.	Lvl.	Loc.	Material Code	Description & Specification	SNA	Qty.
6	2	M155	DE96-00240H	ASSY BASE PLATE; CM1099/SA,3RD-1.0,SEPARA	SNA	1
6-1	3	M155	DE94-04131A	ASSY BASE PLATE; CM1089A/XEU,3RD-1.0,SEPA	SNA	1
6-1-1	4	M048	DE80-10001G	BASE PLATE; 3RD,GI-SGCC,T0.6,W345,L565	SNA	1
6-1-2	4	M047	DE61-40066A	FOOT; PP,BLK	SA	2
6-2	3	M042	DE91-70061H	ASSY H.V.FUSE; THV060T,5KV,900mA,SCREW,WH	SA	1
6-3	3	M527	DE59-00002A	DIODE-H.V; MWO,2CL4512H/CL04-12A,500mA,12	SA	1
6-4	3	M039	2501-001285	C-OIL HIGH VOLTAGE; 1130nF,2100V,BK,34x54	SA	1
6-5	3	M040	DE61-00419A	BRACKET-HVC; CM1049,EGI-SECC,T0.8	SNA	1
7	2	M011	DE61-50541A	BRACKET EARTH; EGI-SECC,T1,W15,L8	SNA	1
8	2	B022	DE94-01862J	ASSY BODY LATCH; NC2K HANDLE TYPE(CONTRAB	SNA	1
8-1	3		DE72-00137G	LATCH BODY; AMC6158/JMC9158,PBT,NATURAL	SA	1
8-2	3	B010	DE66-00093A	LEVER SWITCH-A; NC2000,PP,HT44,GRAY,HANDL	SA	1
8-3	3	B011	DE66-00094A	LEVER SWITCH-B; NC2000,PP,TB53,NTR,HANDLE	SA	1
8-4	3	B046	3405-001032	SWITCH-MICRO; 125/250VAC,16A,200gf,SPDT,T	SA	1
8-5	3	B048	3405-001034	SWITCH-MICRO; 125/250VAC,16A,200gf,SPST-N	SA	1
8-6	3	S0021	3405-001116	SWITCH-MICRO; 125/250VAC,1A,200gf,SPST-NO	SA	1
9	2	W002	DE96-00743A	ASSY WIRE HARNESS-A; Semi CCommercial,230V	SNA	1
10	2	M457	DE47-20173A	THERMOSTAT; 125/250V,15/7.5A,90,60,NORMAL	SA	1
11	2	M035	OM75P(31)ESGN	ASSY-MGT; ASSY-MGT		1
12	2	M037	DE71-60016E	COVER AIR; CM1049,PP,FH44N,SEMI-COM	SA	1
13	2	M036	4713-001524	LAMP-INCANDESCENT; 22x53,BK,20,230,CLEAR,	SA	1
14	2	M020	DE96-00108D	ASSY MOTOR FAN; CM1059/XEU,230V, 50HZ,250	SNA	1
14-1	3	P109	DE71-00061A	COVER MOTOR; 2 & 2 PROJECT,PP,TB53,2 & 2 PROJ	SA	1
14-2	3	H096	DE31-90051A	BLADE-FAN; CE10**,PP,NATURAL,MT44	SA	1
14-3	3	M023	DE31-10177C	MOTOR AC FAN; SMF-1049EA,2,230V,50Hz,25W,	SNA	1
15	2	M017	DE96-00010C	ASSY NOISE FILTER; SN-3WED(12),250V/10A,2	SA	1
15-1	3	M019	3601-001019	FUSE-CARTRIDGE; 250V,12A,SLOW-BLOW,CERAMI	SA	1

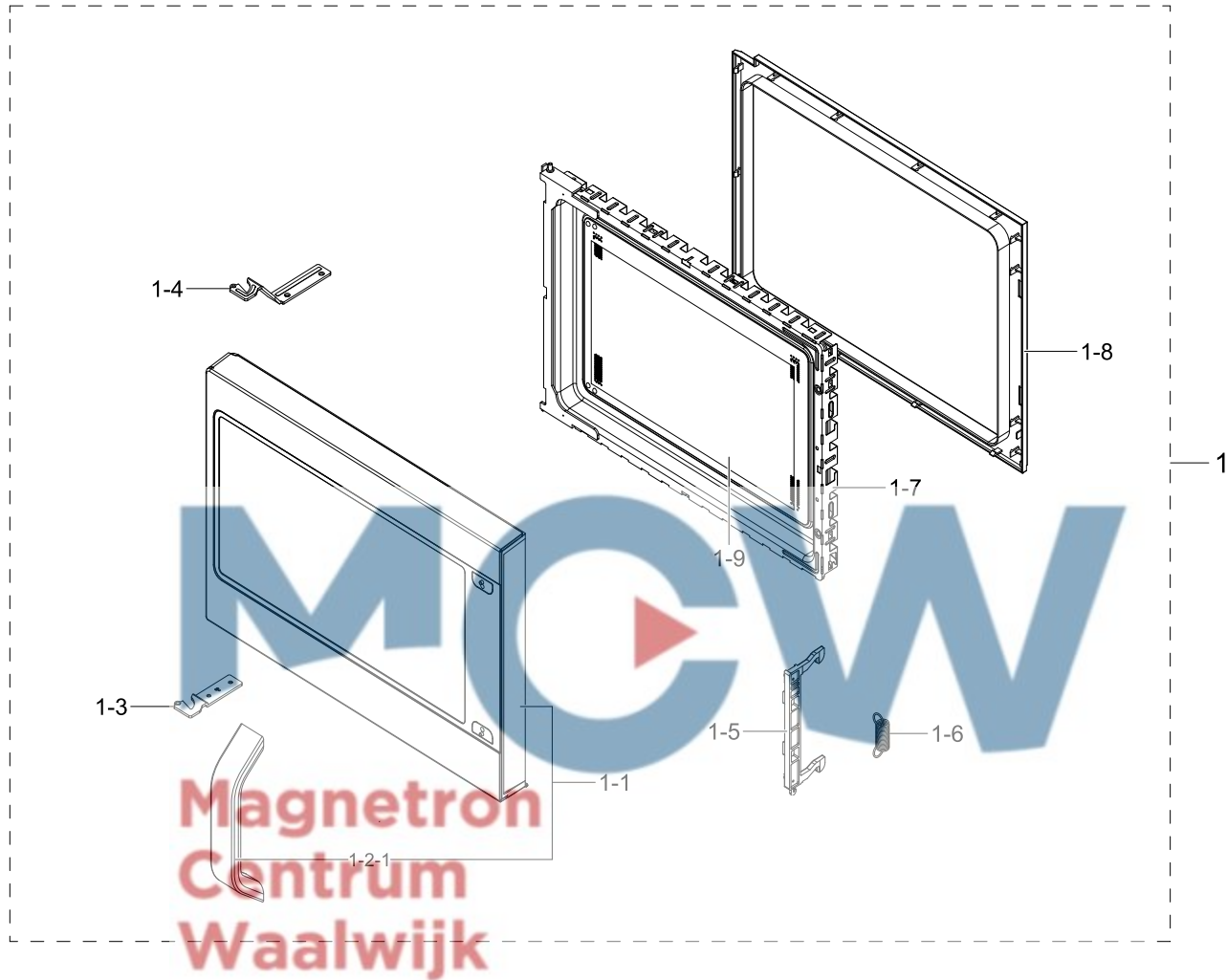
No.	Lvl.	Loc.	Material Code	Description & Specification	SNA	Qty.
16	1	M001	DE64-01740A	PANEL OUTER; CM1059/1069,STS430,T0.6	SA	1
17	1	M015	DE96-00639A	CBF-POWER CORD; AT,EUROPE,EU3F,,,Black,1	SA	1
18	2	M052	DE73-90027A	CORE-FERRITE; T13.8,NI-ZN,BNF-14(K150),L2	SNA	1
19	2	Z780	DE71-00127A	CAVITY UP; CM1049,STS430,T0.5,COIL,COMMER	SNA	1
20	2	M213	DE71-00128A	CAVITY MAIN; CM1049,STS430,T0.5,1.0CUFT,C	SNA	1
21	2	Y053	DE71-00129A	CAVITY FRONT; CM1049,STS430,T0.8,1.0CUFT,	SNA	1
22	2	Z030	DE71-00130A	CAVITY BACK; CM1049,STS430,T0.5,COIL,1.0C	SNA	1
23	2	M515	DE92-90434A	ASSY WAVE GUIDE; M97G45,SECC,-,-	SNA	1
24	2	Q082	DE61-50029J	BRACKET-GEAR MOTOR; SEMI COMM,EGI-SECC,T0	SNA	1
25	2	M002	DE63-90035G	CUSHION RUBBER; ASPHALT,T2,W190,L100	SNA	1



**Magnetron
Centrum
Waalwijk**

2. Assy Door

Exploded View



Parts List

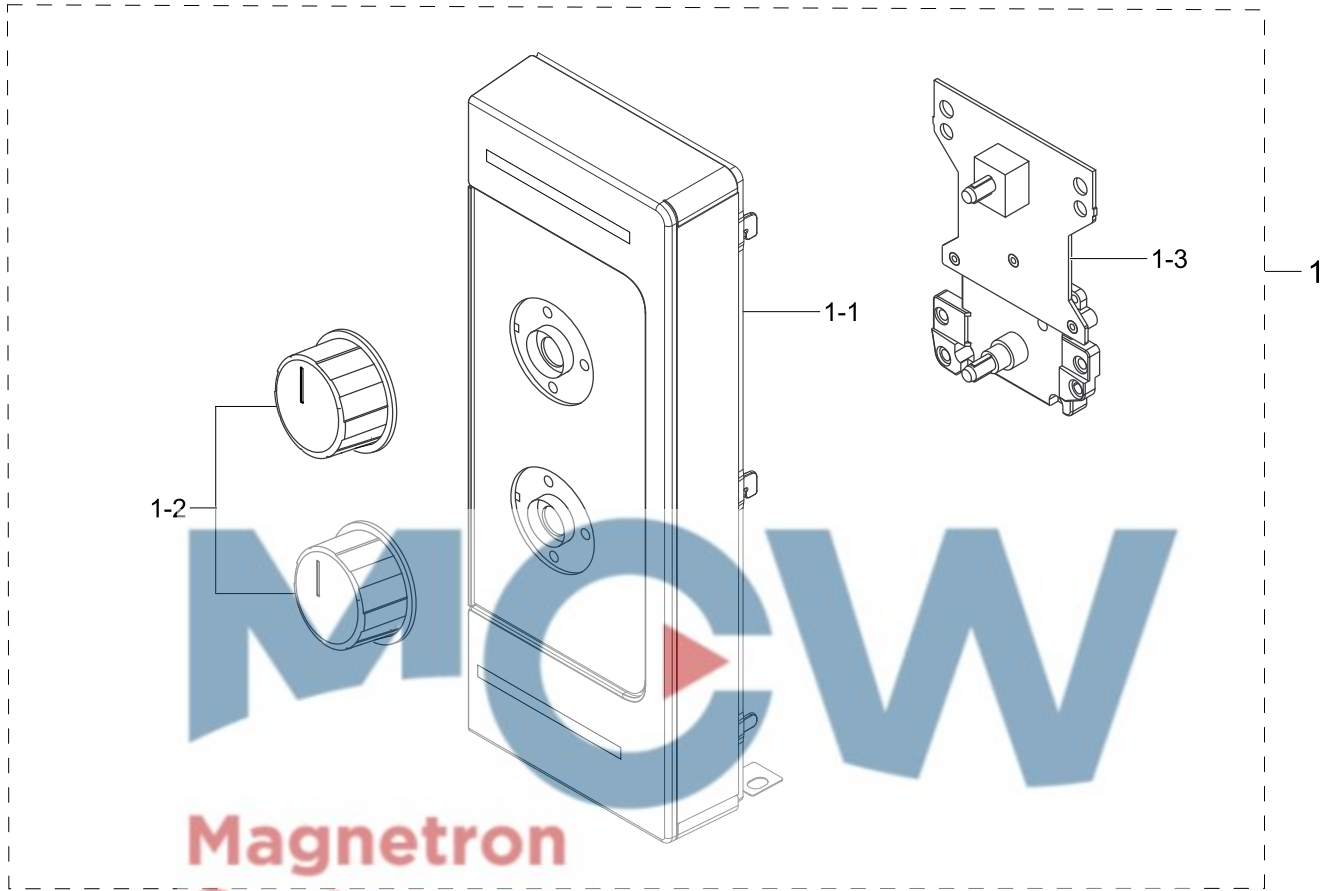
No.	Lvl.	Loc.	Material Code	Description & Specification	SNA	Qty.
1	1	D049	DE94-03005A	ASSY DOOR; CM1089,STSS,MANDOLIN	SA	1
1-1	2	D037	DE94-03002A	ASSY DOOR A; CM1089,STSS,MANDOLIN	SA	1
1-2-1	3	D019	DE64-02745A	HANDLE DOOR; COMMERCIAL,AL,MANDOLIN	SNA	1
1-3	2	D010	DE61-80003A	HINGE-LOWER; ME6144W/XSA,CR-SPCC,T2.3,W26	SA	1
1-4	2	D009	DE61-80002A	HINGE-UPPER; WHT,CR-SPCC,T2.3,W26,L77,ZPC	SA	1
1-5	2	D011	DE64-00264A	KEY DOOR; 3RD-W NEW,POM,-,-,BLK,-,-	SA	1
1-6	2	D007	DE61-00199A	SPRING-KEY; M1977,HSWR-SWRH,D6,25 1/4,25	SC	1
1-7	2	D004	DE92-50127H	ASSY DOOR E; -,-,BLACK,COATING,T0.8	SNA	1

No.	Lvl.	Loc.	Material Code	Description & Specification	SNA	Qty.
1-8	2	D006	DE64-40012D	DOOR C; JES1036NL02,PP,T1.5,HB,TB53D,NATU	SA	1
1-9	2	D005	DE01-00002B	FILM DOOR; CM1089,PET,T0.15,W290,L169,NTR	SNA	1



3. Assy Control Box

Exploded View



Parts List

No.	Lvl.	Loc.	Material Code	Description & Specification	SNA	Qty.
1	1	C082	DE94-03007A	ASSY CONTROL BOX; CM1099,230V 50HZ,STSS S	SNA	1
1-1	2	C001	DE94-03006A	ASSY CONTROL PANEL; CM1099,STSS ST-430 T0	SA	1
1-2	2	C029	DE64-02753A	KNOB-DIAL; COMMERCIAL,PC,HB,BLACK,MANDOLI	SA	2
1-3	2	F002	DE96-00738A	ASSY-TIMER CONTROL; MW71E,DAM-TCM1-00,-,W	SA	1